

LARGE TOW TRACTOR



HEAVY-DUTY GROUND SUPPORT

- ▶ 44100 - 59500 lb. Towing Capacity
- ▶ Ergonomic Operator Compartment
- ▶ 80-Volt AC Drive System
- ▶ Tight Turning Radius



2TE15 | 2TE18 | 3TE25



ELECTRIC TOW TRACTORS

ToyotaForklift.com

IT'S BIG ON PULL

THE TOYOTA LARGE TOW TRACTOR. Generous pulling power, low operating expense. With that combination, it's no wonder aviation professionals are big on the Toyota Large Tow Tractor. Up to 59500 pounds of towing power and an extremely tight turning radius suit it for heavy-duty towing operations in crowded, busy environments. Clean 80-Volt AC Power is ideal for the budget-conscious and better for the environment.



UP TO **59500** LB.
TOWING CAPACITY

UP TO **17.5** MPH
TRAVEL SPEED WITHOUT LOAD



3TE25

LARGE TOW TRACTOR ADVANTAGES

- ▶ **80-VOLT AC DRIVE SYSTEM** powerful enough to haul large loads at high speeds over long distances and up steep ramps and grades
- ▶ **SINGLE-PIN DRAWBAR QUICK-RELEASE** lets operator release carts without leaving seat, streamlining work operations
- ▶ **ENORMOUS 44100 – 59500 LB. TOWING CAPACITY**
- ▶ **INDUSTRIAL FRONT AXLE WITH HYDRAULIC POWER STEERING** features a cylinder and mechanism mounted within vehicle frame to guard against common obstacles in harsh work terrains
- ▶ **BACKLIT LIQUID CRYSTAL MULTIFUNCTION DIGITAL DISPLAY** with a broad range of programmable functions including speed control
- ▶ **HIGH TOW CAPACITY AND EXCELLENT TRAVEL SPEED** mean the 3TE25 performs comparably to diesel-powered models while also eliminating emissions
- ▶ **ERGONOMIC OPERATOR COMPARTMENT** designed with end user comfort and enhanced visibility of meters and gauges in mind
- ▶ **TWO OPERATING POSITIONS AVAILABLE** including forward compartment on the 2TE15/18 and rear compartment on the 3TE25



2TE15 | 2TE18

LARGE TOW TRACTOR

TOWING CAPACITY

44100 - 59500 LBS.

MAXIMUM DRAWBAR PULL

3300 - 5500 LBS.

VOLTAGE

80

INDUSTRIES



Airport



Factory



General
Manufacturing



Oil & Gas

STANDARD FEATURES

PERFORMANCE

- 80-Volt AC drive system
- Hydraulic power steering
- Power select function
- Automatic regenerative braking
- Fixed rear axle¹
- Full floating rear axle with leaf spring suspension²
- 2-speed travel speed control
- Onboard diagnostic & warning system
- Front leaf spring suspension
- Programmable speed control
- Slope sensing auto-power mode²

SERVICEABILITY

- Easy access for all maintenance items
- Battery hood assist damper with lock device

ERGONOMICS

- Infinitely adjustable tilt steering wheel
- Dual action parking brake
- Low entry step height
- Heavy-duty vinyl seat
- Column mounted LCD display & Direction Control¹
- Dash mounted LCD display²
- Driver's side grab bar
- Multifunction display includes:
 - Battery capacity indicator
 - Speedometer
 - 2-speed travel control indicator
 - Parking brake indicator
 - Power select function indicator
 - Battery overdischarge warning
 - Battery remaining charge warning
 - Overheat warning
 - Parking brake on/off alarm
 - Return to neutral warning
 - Travel speed alarm
 - Diagnostic indicator
 - 5-function trip & hour meter
 - Calendar & clock
 - Power meter²
 - Slope sensing auto-power mode-selector indicator²
 - Wheel indicator²
 - Seat ON hour meter²
 - Maintenance hour meter²
 - QR code display²
 - Brake fluid level warning²

DURABILITY

- Steel unibody construction
- Tight turning radius
- Front radial, rear bias ply tires
- Easy access service compartments
- DC-DC converter
- Industrial front axle
- Rear single-stage pin-type hitch with remote release
- Brushless AC dual drive motors³

SUPPORT

- Operator Presence Sensing System (OPSS)
- Parking brake alarm
- Asbestos-free components
- Anti-rollback function
- Electric horn
- Front disc/rear drum hydraulic brakes
- Emergency power disconnect
- Recessed LED front headlights²
- LED front & rear combination lights²
- Recessed halogen front headlights¹

OPTIONAL EQUIPMENT

- Battery side extraction¹
- Rear combination lights¹
- Rear work light¹
- Turn signal lights¹
- Back up alarm
- Rearview mirrors (right & left sides)
- Tow hitch view mirror¹
- Suspension seat²
- Passenger seat
- Passenger side grip
- Bumper (front, side, & rear)^{1,4}
- Document box on dash
- Auxiliary load platform on battery compartment lid¹
- Rear inching controls
- Left or right hand direction switch (push forward for forward)¹
- GSE-style direction switch (pull back for forward)
- Outside charging plug²
- Rear fender-mounted battery connector with quick release¹
- Special paint⁵
- Heater with defroster (cabin only)
- Steel cabin with doors, roof window
- Steel sunshade cabin (front, top, & rear glass - no doors)
- Rearview mirror (center, cabin only)
- Rear double-stage pin-type hitch
- Front single pin-type hitch²

¹ 2TE15/18 only

² 3TE25 only

³ 2TE15/18 are single drive motor

⁴ Contact your local dealer for more information on bumper availability

⁵ Please provide paint map & sample paint codes/colors (subject to approval)

Please contact your local, authorized Toyota Dealer for a complete list of available options.

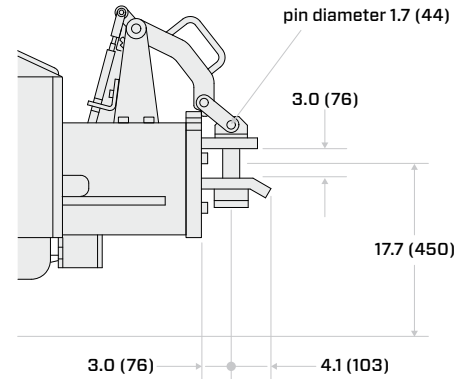
TOWED WEIGHT CHART

RAMP DEGREE	RAMP GRADE	LEVEL START WITH ONE TRAILER	START ON GRADE WITH ONE TRAILER
	%	lb (kg)	lb (kg)
2TE15			
0	0.0	44100 (20000)	—
1	1.7	44100 (20000)	37700 (17100)
2	3.4	44100 (20000)	29300 (13300)
3	5.2	40800 (18500)	23800 (10800)
4	6.9	31500 (14300)	19600 (8900)
5	8.7	25400 (11500)	16500 (7500)
6	10.5	20700 (9400)	14100 (6400)
7	12.2	17400 (7900)	12100 (5500)
8	14.0	14800 (6700)	10400 (4700)
9	15.8	12600 (5700)	9000 (4100)
10	17.6	10800 (4900)	7900 (3600)
2TE18			
0	0.0	55100 (25000)	—
1	1.7	55100 (25000)	45400 (20600)
2	3.4	55100 (25000)	35500 (16100)
3	5.2	49200 (22300)	28900 (13100)
4	6.9	38100 (17300)	23900 (10800)
5	8.7	30600 (13900)	20100 (9100)
6	10.5	25100 (11400)	17200 (7800)
7	12.2	21200 (9600)	14800 (6700)
8	14.0	18100 (8200)	12800 (5800)
9	15.8	15400 (7000)	11200 (5100)
10	17.6	13400 (6100)	9700 (4400)
3TE25			
0	0	59500 (27000)	—
1	1.7	59500 (27000)	59500 (27000)
2	3.4	59500 (27000)	52690 (23900)
3	5.2	59500 (27000)	42550 (19300)
4	6.9	54675 (24800)	35275 (16000)
5	8.7	43880 (19900)	29985 (13600)
6	10.5	36380 (16500)	25575 (11600)
7	12.2	30425 (13800)	22050 (10000)
8	14.0	26015 (11800)	19180 (8700)
9	15.8	22270 (10100)	16755 (7600)
10	17.6	19400 (8800)	14770 (6700)

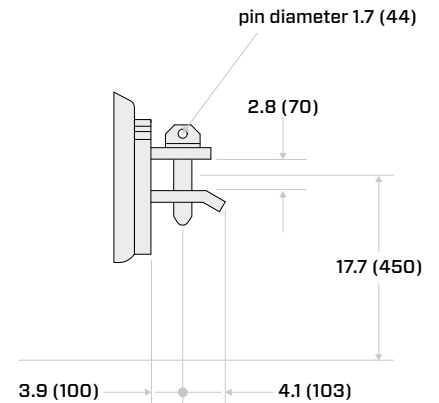
Based on dry even concrete (coefficient of rolling resistance = 0.02).
Towed weight is the same for two or more trailers.

STANDARD DRAWBAR DIMENSIONS

SINGLE-STAGE DRAWBAR (2TE15/18)

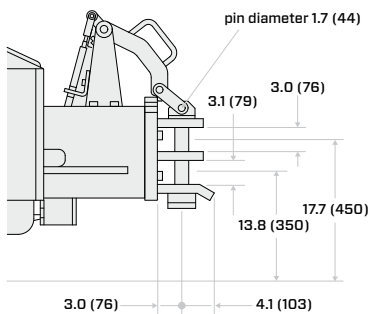


PIN TYPE SINGLE STAGE DRAWBAR (3TE25)

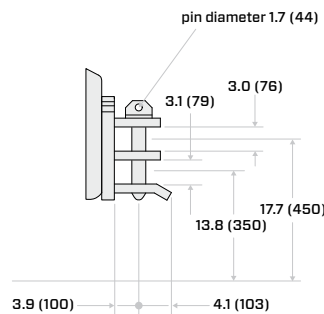


OPTIONAL DRAWBAR DIMENSIONS

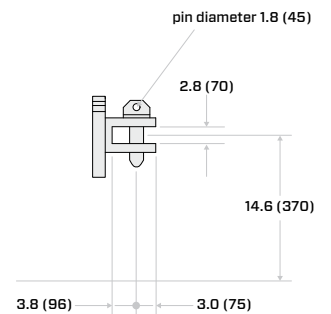
DOUBLE-STAGE DRAWBAR¹



PIN TYPE DOUBLE STAGE DRAWBAR²



FRONT DRAWBAR²



¹ 2TE15/18 only

² 3TE25 only

Dimension measurements are shown in inches (millimeters).

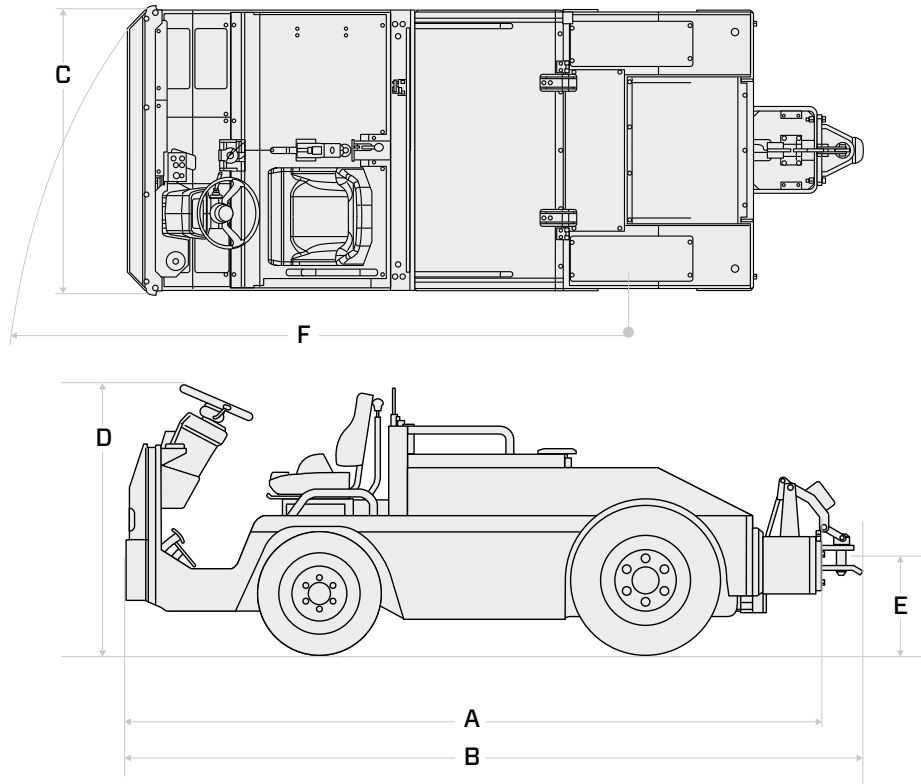
TRUCK SPECIFICATIONS

MODEL NUMBERS

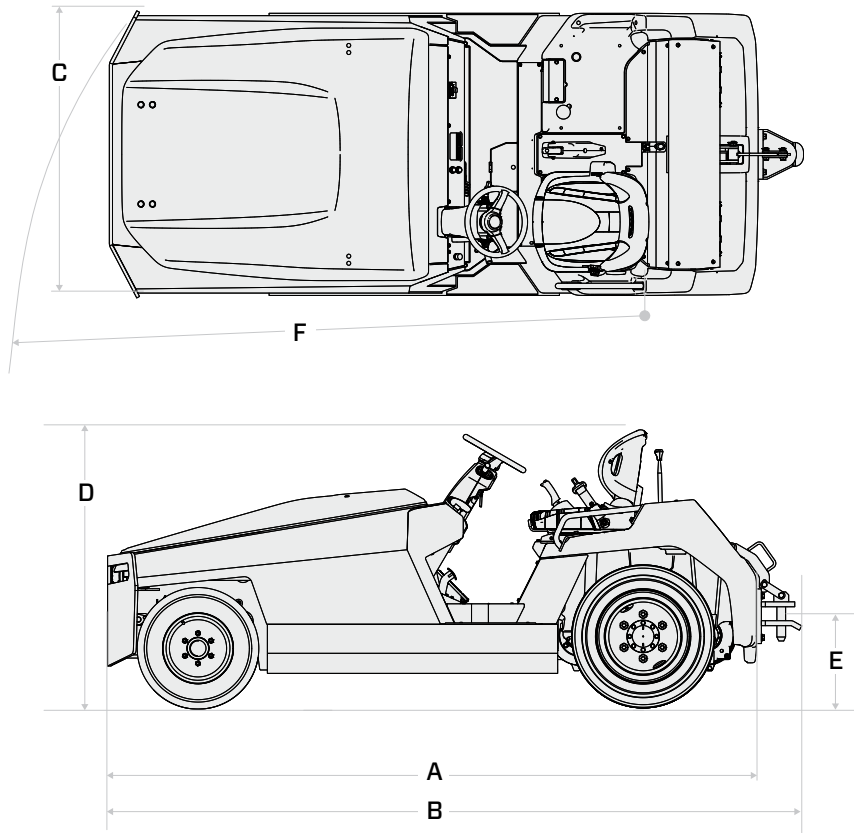
GENERAL DATA				2TE15	2TE18	3TE25	
Maximum Drawbar Pull		lb (kg)		3300 (1500)	4000 (1800)	5500 (2500)	
Power Type				Electric	Electric	Electric	
Operator Position				Seated Rider	Seated Rider	Seated Rider	
Tire Type	Front / Rear			Pneumatic	Pneumatic	Pneumatic	
Wheels (x = driven)	Front / Rear			2 / 2x	2 / 2x	2 / 2x	
EXTERIOR DIMENSIONS				2TE15	2TE18	3TE25	
A	Overall Length	Without Hitch		in (mm)	133.7 (3395)	133.7 (3395)	128.5 (3265)
		With Hitch		in (mm)	142.3 (3615)	142.3 (3615)	137.6 (3495)
C	Overall Width			in (mm)	55.9 (1420)	55.9 (1420)	56.9 (1445)
D	Overall Height	Without Cabin		in (mm)	50.4 (1280)	50.4 (1280)	54.7 (1390)
E	Drawbar Height	Standard Hitch		in (mm)	17.7 (450)	17.7 (450)	17.7 (450)
F	Turning Radius (outside)			in (mm)	129.7 (3295)	129.7 (3295)	126 (3200)
PERFORMANCE DATA				2TE15	2TE18	3TE25	
Speeds	Maximum Travel	No Load	mph (km/h)	15.5 (25)	17.5 (28)	15.5 (25)	
Towed Weight (60-minute rating)		Maximum	lb (kg)	44100 (20000)	55100 (25000)	59500 (27000)	
Rated Drawbar Pull (60-minute rating)			lb (kg)	880 (400)	1100 (500)	1190 (540)	
Gradeability ¹		Maximum	%	26	26	33	
TRUCK WEIGHTS				2TE15	2TE18	3TE25	
Total Weight (without cabin)	Without Battery		lb (kg)	4190 (1900)	4960 (2250)	7080 (3210)	
	With Standard Battery		lb (kg)	6730 (3050)	7495 (3400)	10515 (4770)	
Weight Distribution	With Standard Battery	Front	lb (kg)	3240 (1470)	3152 (1430)	4010 (1820)	
		Rear	lb (kg)	3490 (1580)	4343 (1970)	6500 (2950)	
TIRES				2TE15	2TE18	3TE25	
Tires	Number (front / rear)			2 / 2	2 / 2	2 / 2	
	Size	Front		165R13-8PR (LT)	175R13-8PR (LT)	175R13-8PR (LT)	
		Rear		7.00-12-12PR (I)	28 x 8-15-12PR (I)	28 x 8-15-12PR (I)	
Wheelbase			in (mm)	63.0 (1600)	63.0 (1600)	88.2 (2240)	
Tread Width	Front		in (mm)	46.3 (1175)	46.3 (1175)	48.2 (1225)	
	Rear			43.7 (1100)	43.7 (1100)	46.9 (1190)	
Underclearance			in (mm)	5.9 (150)	5.9 (150)	5.9 (150)	
Brake Type (front / rear)				Disc / Drum	Disc / Drum	Disc / Drum	
Brake System	Service (foot)			Tandem Hydraulic	Tandem Hydraulic	Tandem Hydraulic	
	Parking (hand)			Mechanical-Double Action	Mechanical-Double Action	Mechanical-Double Action	
POWER SYSTEM				2TE15	2TE18	3TE25	
Battery	Voltage	V		80	80	80	
Battery Capacity (6-hour rating)	Minimum	Ah		425	425	560	
	Maximum	Ah		550	550	620	
Battery Manufacturer				Exide	Exide	Enersys/Hawker	
Battery Type	Minimum			40E85-11	40E85-11	4PzS560	
	Maximum			40E110W-11	40E110W-11	4PzS620	
Drive Motor				TOYOTA	TOYOTA	TOYOTA	
Drive Motor Type				AC	AC	AC (Dual)	
Drive Motor Output Rating			hp (kw)	15.8 (11.8)	22.3 (16.6)	15 x 2 (11.2 x 2)	
Controller Type				Transistor Inverter	Transistor Inverter	Transistor Inverter	
Suspension Type	Front			Leaf Spring	Leaf Spring	Leaf Spring	
	Rear			Rigid	Rigid	Leaf Spring	
Steering Type				Hydraulic Recirculating Ball	Hydraulic Recirculating Ball	Hydraulic Recirculating Ball	

¹ Compound values

2TE15/18 EXTERIOR DIMENSIONS



3TE25 EXTERIOR DIMENSIONS





“THE NAME ON MY SHIRT SAYS TOYOTA, BUT I WORK FOR YOU.”

Alan – 360 Technician, Atlas Toyota Material Handling, Chicago, IL



HELP IS ALWAYS HERE WITH TOYOTA 360 SUPPORT.

The industry’s best and most comprehensive dealer network quickly delivers Toyota Certified Technicians to your work site. These specially trained technicians can also help assess your warehouse and facility needs to recommend the right equipment for the job. And with the largest fleet of used and rental material handling products, Toyota 360 keeps your business running at full speed.

ToyotaForklift.com/360-Support



YOUR BUSINESS IS RIDING ON IT.

Some product features described herein are optional. Please consult your dealer for specifications. Details of specifications and equipment are based on information available at time of printing and may change without notice.

