

BER30-9/BER40-9



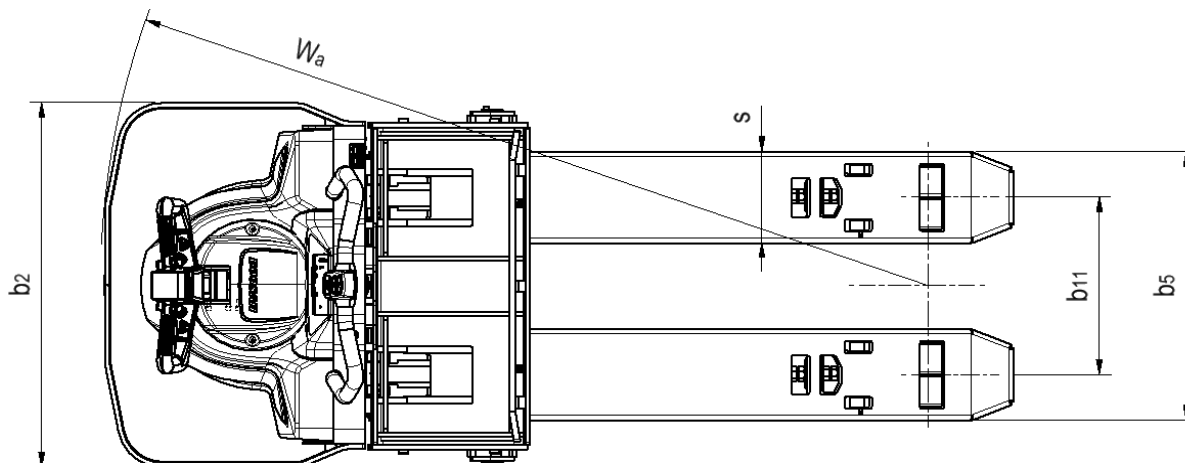
9-Series Forklifts

Rider Pallet Trucks
6,000 lb. to 8,000 lb. Capacity



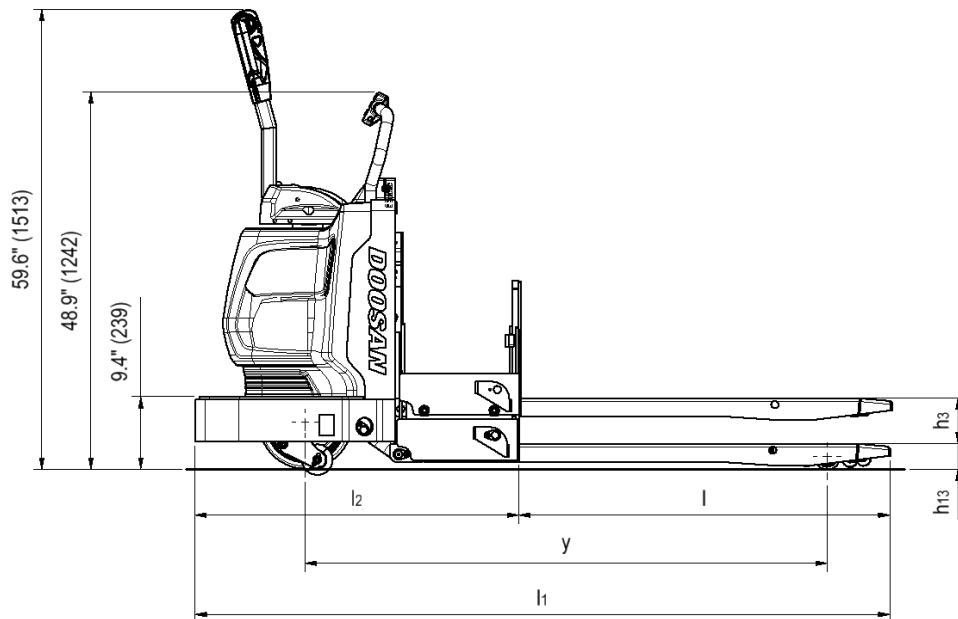
General Specifications

Characteristics	1.1	Manufacturer						
	1.2	Manufacturer's Designation				BER30-9		
	1.3	Drive: Electric (Battery)				24 Volt		
	1.4	Operator Type: Standing				Standing		
	1.5	Rated Capacity/Rated Load		lb (kg)	6,000 (2,722)			
	1.9	Wheelbase, Lowered	y	in (mm)	55.5 (1,409)	67.5 (1,714)	79.5 (2,019)	
	1.9.2	Wheelbase, Raised		in (mm)	51.9 (1,317)	63.9 (1,622)	75.9 (1,927)	
Weight	2.1	Service Weight		lb (kg)	1,368 (620)	1,418 (643)	1,468 (666)	
	2.3	Axle Loading, Unladen Front/Rear		lb (kg)	1,961 (889) 904 (410)	2,120 (961) 796 (361)	2,290 (1038) 676 (306)	
Tires/Chassis	3.1	Tires: Vulcanized/Polyurethane			Poly/Poly			
	3.2	Tire Size, Front			12 x 4.3x9.5/4x2.5			
	3.3	Tire Size, Rear			3.25x3.25			
	3.5	Wheels, Number Front/Rear (x=Drive Wheels)			1x2/4			
Dimensions	3.7	Tread, Rear	b_{11}	in (mm)	17.9 (454)			
	4.4	Lift	h_3	in (mm)	5.9 (150)			
	4.15	Height, Lowered	h_{13}	in (mm)	3.3 (85)			
	4.19	Overall Length, Lowered	l_1	in (mm)	77.9 (1,979)	89.9 (2,284)	101.9 (2,589)	
	4.19.2	Overall Length, Raised		in (mm)	78.2 (1,986)	90.2 (2,291)	102.2 (2,596)	
	4.2	Length to Fork Face, Lowered	l_2	in (mm)	41.9 (1,065)			
	4.2.2	Length to Fork Face, Raised		in (mm)	42.2 (1,072)			
	4.21	Overall Width	b_2	in (mm)	36.7 (933)			
	4.22	Fork Dimension DIN ISO 2331 - Length	l	in (mm)	36 (914)	48 (1,219)	60 (1,524)	
	4.22	Fork Dimension DIN ISO 2331 - Width	b_5	in (mm)	27.1 (688)			
	4.22	Fork Dimension DIN ISO 2331 - Overall Width	s	in (mm)	9.2 (234)			
4.35	Turning Radius	W_a	in (mm)	70.2 (1,782)	82.1 (2,085)	94.1 (2,389)		
Performance	5.1	Travel Speed, Loaded/Unloaded		mph (kmh)	6.7 (10.8)/9.0 (14.5)			
	5.1.2	Travel Speed, Loaded/Unloaded (Backwards)		mph (kmh)	6.0 (9.7)/6.0 (9.7)			
	5.8	Max. Gradeability		%	10			
	5.10	Service Brake			Electromagnetic			
Elec. Motor	6.1	Drive Motor Rating S2 60 min.		kW	5			
	6.2	Lift Motor Rating at S3 15%		kW	1.5			
	6.4	Battery Voltage/Nominal Capacity K_s		V/Ah	24/375-930			
	6.5	Battery Weight		lb (kg)	540 (245)/1,500 (680)			



Note : Specification values quoted in this spec sheet have been rounded. Performance may vary due to operating conditions. Products and specifications are subject to improvement and change without prior notices.

Doosan					
BER40-9					
24 Volt					
Standing					
8,000 (3,629)					
55.5 (1,409)	67.5 (1,714)	79.5 (2,019)	89.8 (2,281)		
51.9 (1,317)	63.9 (1,622)	75.9 (1,927)	86.2 (2,189)		
1,390 (630)	1,440 (653)	1,490 (676)	1,608 (729)	1,632 (740)	1,640 (744)
2,058 (933) 830 (376)	2,100 (952) 788 (357)	2,307 (1,046) 681 (309)	2,416 (1,095) 691 (313)	2,445 (1,109) 685 (311)	2,474 (1,122) 665 (301)
Poly/Poly					
12 x 4.3x9.5/4x2.5					
3.25x3.25			3.25x5.6		
1x2/4			1x2/4		
17.9 (454)			17.9 (454)		
5.9 (150)					
3.3 (85)					
77.9 (1,979)	89.9 (2,284)	101.9 (2,589)	125.9 (3,199)	134.9 (3,427)	137.9 (3,503)
78.2 (1,986)	90.2 (2,291)	102.2 (2,596)	126.2 (3,206)	135.2 (3,434)	138.2 (3,510)
41.9 (1,065)					
42.2 (1,072)					
36.7 (933)					
36 (914)	48 (1,219)	60 (1,524)	84 (2,134)	93 (2,362)	96 (2,438)
27.1 (688)			27.9 (709)		
9.2 (234)			10 (254)		
70.2 (1,782)	82.1 (2,085)	94.1 (2,389)	104.4 (2,650)		
6.7 (10.8)/9.0 (14.5)					
6.0 (9.7)/6.0 (9.7)					
8					
Electromagnetic					
5					
1.5					
24/375-930					
540 (245)/1,500 (680)					





Doosan Industrial Vehicle America Corp.
2475 Mill Center Parkway, Suite #400
Buford, GA 30518
P) 678-745-2200
F) 678-745-2250
www.doosanlift.com

PSCBER30-9V1-SPEC

AUTHORIZED DEALER