



PICKING UP WHERE OTHERS LEAVE OFF



LOW LEVEL ORDER PICKER

JX2-72

CAPACITY 1,500 lbs. @ 24" LC on forks
300 lbs. operator compartment
200 lbs. rear work platform



BATTERY INFORMATION

Compartment: 29.1" x 11" x 30"
Minimum battery weight 700 lbs.

PERFORMANCE

Maximum Lift Heights

48" operator platform, 72" forks height

Maximum Speeds

Travel: Variable from 0 mph to 4.5 mph

Lift: Up to 32 fpm

TIRES/WHEELS

(1) 9" x 3" polyurethane **drive** tire

(2) 3" x 2" polyurethane **stability** casters

(2) 5.9" x 3.5" polyurethane **load** wheels

ELECTRICAL

24-Volt travel controller.

LCD dash board displays hour meter, battery state of charge, travel speed, drive wheel directional indicator, and fault codes.

AC drive motor provides high torque throughout the entire drive range. The brushless design of the AC motors drastically reduces maintenance costs while extending duty cycle. Travel speed remains constant relative to throttle position regardless of the load on truck.

(4) selectable travel speed settings and a global turtle travel speed setting can be used to tailor equipment performance to the experience level of the operator and use.

MAST

Heavy duty I-beam design provides operator with excellent stability at height. Steel mast channels and side mounted lift cylinders increase total vehicle capacity and service life.

CHASSIS

Three point chassis design along with 180° drive motor steering arc provides exceptional maneuverability. Powerhead mounted stability casters add additional truck stability and operator confidence at working heights.

OPERATOR COMPARTMENT

Ergonomic fingertip control for travel, lift, and lower functions provide the operator with logical intuitive drive characteristics while traveling at elevation or lowered. The operator compartment is designed for comfort and features an ergonomic floor mat and forward and backrest cushion. Retractable compartment siderails allow for easy egress from either side of the vehicle.

REGENERATIVE BRAKES

Regenerative braking is applied when the operator removes their hand from travel control or when plugging occurs. An electromagnetic parking brake is applied after the truck is stopped.

STANDARD EQUIPMENT

- 36" long forks
- Non-marking tires
- Rear flashing light
- Battery compartment rollers
- Hydraulic front mini mast with independent controls
- Low 9" step height compartment

OPTIONAL EQUIPMENT

- 12 volt accessory power supply
- 224 AH maintenance free Battery Pack w/110V Plug-In
- 24 volt industrial battery
- 24 volt external charger
- Forward controls with no side rails
- Walk along order picking controls

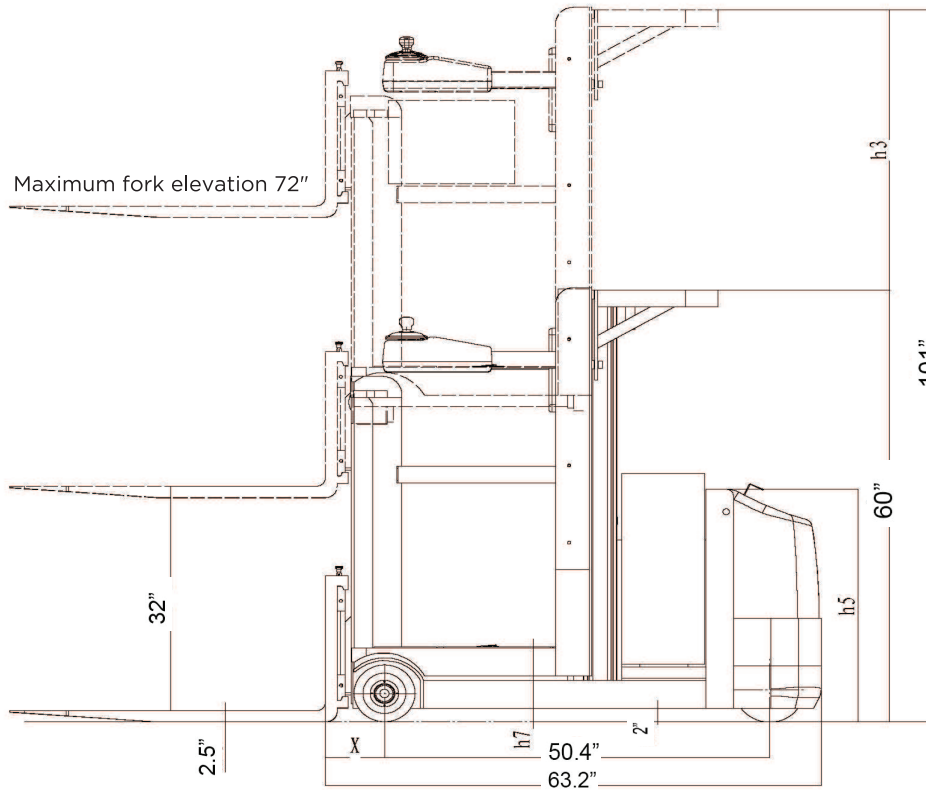
OPERATOR CONTROLS



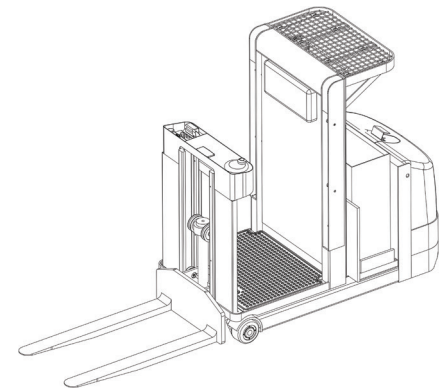
Left Hand



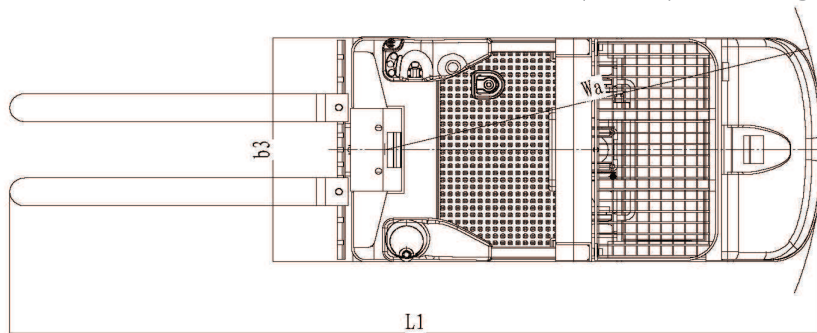
Right Hand



$h7 = 8.75''$ Lowered operator platform height



JX2 -72 shown with optional front operator controls



$Wa = 58''$ Turning Radius

MODEL#	MAST	LIFT HEIGHT	COLUMN HEIGHT	EXT HEIGHT	OVERALL WIDTH	OVERALL LENGTH	³ WEIGHT CHASSIS ONLY
		$h2+h3$	$h1$	$h4$	$b3 / b1$	$L1$	

All measurements in standard "inch" units, for additional specifications or performance details consult factory.

JX2-72	Single Stage	72	60.0	101	31.5	99.2	2900 lbs.
--------	--------------	----	------	-----	------	------	-----------

³ Estimated shipping weight without battery