

800-428-5655

www.landoll.com/mhp



DREXEL

STANDARD FEATURES

- Three-Wheel Configuration
- Rear-Wheel Drive and Steering
- High Visibility Mast (3 or 4-Stage)
- 90° Pivoting and Shifting Mast
- 48 Volt Electrical System
- Single Joystick Control Lever
- Adjustable Driver's Seat (15° Swivel Seat)
- Safety Seat Switch – Cuts Power
- Seat Belts
- Parking Brake, Electric, Mechanically Applied, Electrically Released
- Hydraulic Service Front Wheel Brakes
- AC Traction Control with Self-Diagnostics, Hour Meter and Battery Discharge Indicator with Lift Interrupt
- AC Hydraulic Pump Control
- Type "E" Construction
- Electronic Power Steering
- Automatic Return –to– Neutral
- SB 350 Blue Battery Connector
- Key Switch
- Covered Battery Compartment
- Battery Compartment Rollers
- Cushion Rubber Drive Tire (1)
- Polyurethane Load Tires (2)
- Horizontal Fork Indicator
- Overhead Guard
- Load Backrest
- Horn

OPTIONAL FEATURES

- Non-Standard Fork Lengths
- Dual Overhead Guard-Mounted LED Headlights
- Dual Rear Safety LED Light Bars
- Safety Flashing LED Light
- Backup Alarm - Beeping Tone ("Smart" dB Adjusting)
- Fire Extinguisher - OHG Post Mounted
- Cold Storage Conditioning to -22°F (-30°C)
- Lazer Fork Height Indicator
- Fork Positioner
- Keyless Key Pad On-Off
- Type EE Construction
- Single Auxiliary Hydraulics
- Landguide Wire Guidance

SLT-30AC
SLT-35AC

Electric Multi-Purpose
VNA Articulated Forklift Truck



**Material Handling
Products**

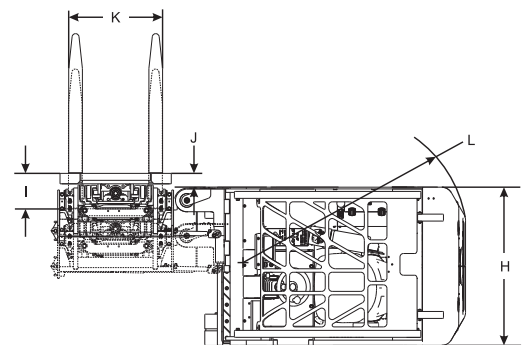
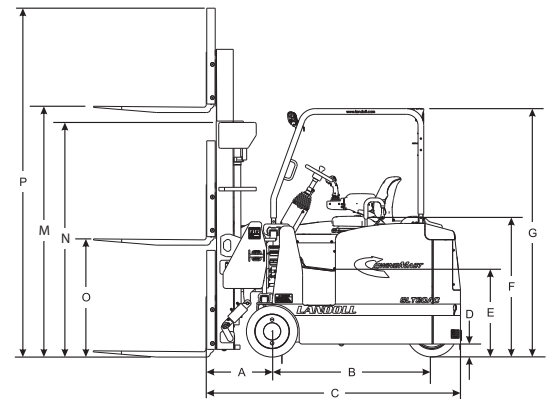
DREXEL SLT-30AC & SLT-35AC

Electric Multi-Purpose VNA | Articulated Forklift Truck

TECHNICAL DATA

MODEL				SLT30AC	SLT35AC
Capacity at 24" L/C			lbs/kg	3,000 / 1,361	3,500 / 1,588
Load Center			in/mm	24 / 600	24 / 600
Power Source				Battery, Electric 48V	Battery, Electric 48V
Weight with Battery			lbs/kg	13,225 / 5,999	13,550 / 6,146
Travel Speed	Loaded		mph/kph	6 / 9.7	6 / 9.7
	Unloaded		mph/kph	7 / 11.3	7 / 11.3
Lift Speed	Loaded		fpm/mpm	95 / 29	95 / 29
	Unloaded		fpm/mpm	110 / 33.5	110 / 33.5
Lower Speed	Loaded		fpm/mpm	80 / 24.4	80 / 24.4
	Unloaded		fpm/mpm	75 / 22.8	75 / 22.8
Mast Tilt	Fwd / Back		deg	3 / 4	3 / 4
Lost Load Center	A	with Triple Mast	in/mm	23 / 584	23 / 584
Wheelbase	B		in/mm	56 / 1,422	56 / 1,422
Overall Length to Fork Face	C	with Triple Mast	in/mm	89 / 2,260	89 / 2,260
Underclearance	D		in/mm	4.5 / 114	4.5 / 114
Cab Floor Height	E		in/mm	31 / 787	31 / 787
Seat Height	F		in/mm	50.75 / 1,289	50.75 / 1,289
Overhead Guard Height	G		in/mm	87 / 2,210	87 / 2,210
Chassis Width	H		in/mm	45.5 / 1,156	45.5 / 1,156
Mast Shift	I		in/mm	20 / 508	20 / 508
Side Reach	J		in/mm	3 / 76	3 / 76
Fork Carriage Width	K		in/mm	31 / 787	31 / 787
Turning Radius	L		in/mm	67 / 1,702	67 / 1,702
Standard Forks (ITA Class II)			in/mm	40 x 4 x 1.5	40 x 4 x 1.5
				1,016 x 101 x 38	1,016 x 101 x 38
Gradeability	Loaded		%	10	10
Lift Motor Rating			kWh	12	12
Steer Motor Rating			kWh	1.1	1.1
Traction Motor Rating			kWh	12	12
Wheel Sizes		Front (2 Each)	in	18 x 9 x 12.1	18 x 9 x 12.1
			mm	457 x 229 x 307	457 x 229 x 307
		Rear (1 Each)	in	18 x 7 x 12.1	18 x 7 x 12.1
			mm	457 x 178 x 307	457 x 178 x 307
Control Type	Traction			AC	AC
	Hydraulic			AC	AC

DREXEL



MAST DIMENSIONS

LIFT HEIGHT (M)		LOWERED HEIGHT (N)		**FREE LIFT (O)		OVERALL HEIGHT (P)	
In	M	In	M	In	M	In	M
Mast Dimensions 3 Stage Full Free Lift							
188	4.78	83	2.11	47	1.19	224	5.69
198	5.03	87	2.21	51	1.30	234	5.94
205	5.21	90	2.29	54	1.37	241	6.12
216	5.49	95	2.41	59	1.50	252	6.40
223	5.66	98	2.49	62	1.57	259	6.58
242	6.15	107	2.72	71	1.80	278	7.06
258	6.55	115	2.92	79	2.01	294	7.47
272	6.91	121	3.07	85	2.16	308	7.82
Mast Dimensions 4 Stage Full Free Lift							
250	6.35	87	2.21	51	1.30	286	7.26
258	6.55	89	2.26	53	1.35	294	7.47
276	7.01	95	2.41	59	1.50	312	7.92
294*	7.47	101	2.57	65	1.65	330	8.38
312*	7.92	107	2.72	71	1.80	348	8.84
* Tilt Restricted to 1° Forward and 2° Backward							
** Free Lift Based on 36' (914mm) High Load Backrest							

RECOMMENDED BATTERY

RECOMMENDED BATTERY
Battery Designation: 24-125-13, 48 Volt, 750 AHC (6 Hour Rate)
Battery Weight: Min. 2,750 lbs. (1,247kg) - Max. 3,300 lbs. (1,497kg)
Leads: Position D, 24" (61cm) Long, with SB 350 Amp Blue Connector
Nominal Size: 38.25" x 20.75" x 30.56" (971 x 527 x 776mm)
Battery Compartment Inside Dimensions: 38.5" x 21.5" x 31.5" (978 x 546 x 800mm)



Landoll continuously improves products. We reserve the right to make any changes in illustrations, specifications, equipment, and prices without prior notice and without changes on previous models.

www.landoll.com/mhp

1900 North Street | Marysville, KS 66508 | (800) 428-5655



Intertek

SLT30/35-0520