



Bendi®

B40i5

**4-Wheel Heavy Capacity
LP Gas Engine Powered
Multi-Purpose Articulated Forklift**

STANDARD FEATURES

- 4,000 lb. (1,814kg) Capacity at 24" (600mm) Load Center
- Tier III Certified, LP Gas, 2.5L, Kubota Industrial Engine
- Gear Driven Valve Train - No Belts or Chains
- CAN-Bus Electronics for Integrated Control of Drive, Lift and Steering
- Simplified Maintenance, Diagnostics and Calibration through Dash Display
- Dash Display with Hour Meter, Fuel Gauge and Engine Monitoring
- Via-Sonic Fuel Level Sensor with 99.5% Accuracy
- Heavy Duty Dual Rear Wheel Hydraulic Motors
- Automatic Hydrostatic Braking and Foot Activated Hydraulic Parking Brake
- Lift Heights to 360" (9.14M)
- 78" (1.98M) Stacking Aisle with 48" (1,219mm) Long Load
- High Visibility 3-Stage or 4-Stage Mast
- Integral 11.2" (285mm) Stroke Sideshifter and 36" (914mm) High Load Backrest
- Dual Indoor / Outdoor Capability
- Articulated 42" (1,067mm) Wide Floating Front Axle
- Large Diameter Smooth Rubber Drive Tires
- Polyurethane Load Tires
- 180° Front-End "DuraSteer" Articulation / Steering Assembly with Extended Warranty
- Comfortable Seated Operation with all Truck Controls within Easy Reach
- Adjustable Vinyl Suspension Swivel Seat
- Armrest and Adjustable Steering Column, Key Switch, Horn and Seat Belt
- Hydraulic Power Steering
- 4-Post Heavy-Duty Overhead Guard
- Safety Deadman Seat Switch
- Heavy Duty Unitized Robotic Welded Chassis Design
- Provisions for RF Terminals Provided
- Accepts Class II Attachments
- Easily Accessible Components for Low Cost Maintenance

LANDOLL CORPORATION
www.landoll.com/mhp | 800-428-5655

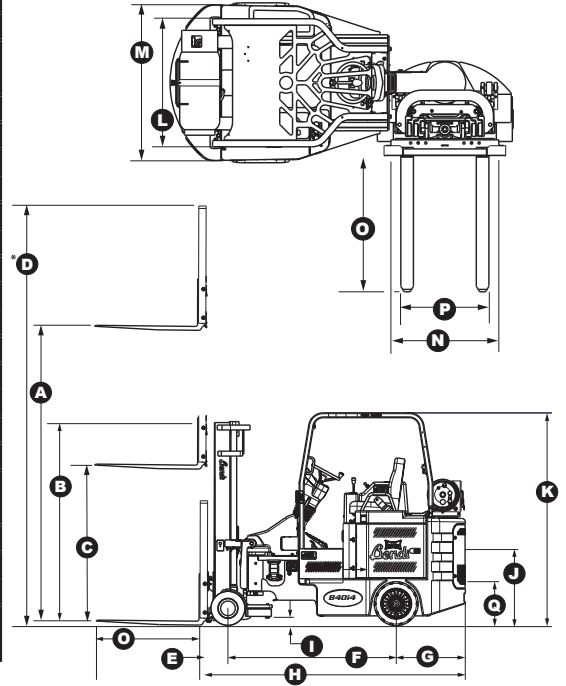


TECHNICAL DATA

MODEL			B40i5
Capacity		at 24" (600mm) Load Center	lbs/kg 4,000 / 1,814
Truck Weight		with Battery	lbs/kg 13,700 / 6,214
Travel Speed		Loaded	mph/kph 8 / 13
		Unloaded	mph/kph 8 / 13
Lift Speed		Loaded	fpm/mpm 90 / 27.4
		Unloaded	fpm/mpm 100 / 30.5
Lowering Speed		Loaded	fpm/mpm 100 / 30.5
		Unloaded	fpm/mpm 90 / 27.4
Mast Tilt		Fwd / Back - Up to 293" (7.44M)	deg 3 / 3
		Fwd / Back - 294" (7.45M) to 360" (9.14M)	deg 1 / 2
HP Rating		LP Gas Engine at 2,600 RPM	HP 61.7
Lost Load Center	E		in/cm 12 / 30.5
Wheelbase	F		in/cm 69 / 175.25
Rear Overhang	G		in/cm 28 / 71
Overall Length to Fork Face	H		in/cm 109 / 277
Underclearance	I		in/cm 10 / 25
Operator Floor Height	J		in/cm 31 / 79
Overhead Guard Height	K		in/cm 87 / 221
Overhead Guard Width	L		in/cm 40 / 101.5
Overall Width	M		in/cm 49 / 124.5
Fork Carriage Width	N		in/cm 41 / 104
Fork Length	O		in/cm 40 / 101.5
Out to Out Fork Spread	P	Minimum / Maximum	in/cm 9.4-39.5 / 24-100
Intermediate Step Height	Q		in/cm 19 / 48
Right Angle Stacking Aisle		with 48"L x 40"W (1200mm x 1000mm) Load	in/cm 78 / 198
Intersecting Aisle			in/cm 114 / 289
Gradeability		Loaded / Unloaded	% 15 / 15
Wheel Sizes		Front 2 Each Poly-Dia. x Face	in/cm 14x5 / 36x13
		Rear 2 Each Rubber-Dia. x Face	in/cm 18x7x12 / 46x18x30

B40i5

LP Gas Engine Powered Mult-Purpose Articulated Forklift Truck



MAST DIMENSIONS

LIFT HEIGHT (A)		LOWERED HEIGHT (B)		*FREE LIFT (C)		**OVERALL HEIGHT (D)	
In	M	In	M	In	M	In	M
Triple (3 Stage) Mast							
188	4.78	83	2.11	47	1.19	224	5.69
198	5.03	87	2.21	51	1.30	234	5.94
216	5.49	95	2.41	59	1.50	252	6.40
224	5.69	98	2.49	62	1.57	260	6.60
240	6.10	106	2.69	70	1.78	276	7.01
258	6.55	115	2.92	79	2.01	294	7.47
272	6.91	121	3.07	85	2.16	308	7.82
294	7.47	128	3.25	92	2.34	330	8.38
312	7.92	132	3.35	96	2.44	348	8.84
322	8.18	137	3.48	101	2.57	358	9.09
360	9.14	156	3.96	120	3.05	396	10.06

The specifications contained in this spec sheet are subject to change at any time without notice. Actual dimensions and performance data given herein may vary due to manufacturing tolerances.

LIFT HEIGHT (A)		LOWERED HEIGHT (B)		*FREE LIFT (C)		**OVERALL HEIGHT (D)	
In	M	In	M	In	M	In	M
Quad (4 Stage) Mast							
250	6.35	87	2.21	51	1.30	286	7.26
258	6.55	89	2.26	53	1.35	294	7.47
276	7.01	95	2.41	59	1.50	312	7.92
294	7.47	101	2.57	65	1.65	330	8.38
312	7.92	107	2.72	71	1.80	348	8.84
* Free Lift Based on 36" (914mm) High Load Backrest							
** Overall Height Based on 36" (914 mm) High Load Backrest							

AISLE DIMENSIONS

LOAD DEPTH X WIDTH	MINIMUM CLEAR AISLE
40" x 48" (1,000 x 1,200 mm)	72" (1,828 mm)
48" x 40" (1,200 x 1,000 mm)	78" (1,981 mm)
Transfer or End Aisle	114" (2,895 mm)



www.landoll.com/mhp

1900 North Street | Marysville, KS 66508 | (800) 428-5655

Bendi



Intertek



The Resource for Warehouse Logistics



B40i5-0717