

MID & LARGE

INTEGRATED ELECTRIC PNEUMATIC



8000 - 17500 LBS.

SPECIFICATIONS



9FBZ35U-9FBZ80U

CLASS

1

ELECTRIC MOTOR RIDERS

ToyotaForklift.com

INTEGRATED ELECTRIC PNEUMATIC (MID & LARGE)

CAPACITY

8000 - 17500 LBS.

LOAD CENTER

24 IN.

WHEELBASE

55.5-71 IN.

INDUSTRIES



Lumber



Brick, Block
& Pipe



Concrete



Distribution



Retail

STANDARD FEATURES

DURABILITY

- Controller Area Network (CAN-bus communication)
- Fully-stamped steel side panels
- Full floating front axle
- Tested to IPX4 water resistance levels
- Tilt cylinder boots
- Plate iron front fenders
- Anti-restart key switch
- Stamped steel hood
- 2-stage limited free lift mast (V)
- Force-cooled wet disc brakes
- Fully oil charged lift cylinder
- Protected Battery Charging Connector

SAFETY

- System of Active Stability™ (SAS)
- Operator Presence Sensing System (OPSS)
- Bolt-on overhead guard
- Key lowering interlock
- Electric horn
- Automatic parking brake
- Asbestos free components
- Orange forks
- Speed control
- LED Headlights
- Key Off/Headlight Off System

PERFORMANCE

- Integrated Lithium-Ion battery
- 90 Volt electrical system
- AC drive system
- AC lift system
- AC steering
- Electronic hydraulic controls
- Programmable hydraulics
- U.L. Approved Model Type E
- Three forms of energy regeneration
 - Coast control
 - Plug braking
 - Foot braking
- 3-way hydraulic control valve
- Auto-off system (programmable)
- Power select functions (E.S.P.H)
- Power Keep function
- Treaded pneumatic tires (front & rear)

ERGONOMICS

- Dash mounted instrument display
- 11.8" diameter two-spoke steering wheel
- Load sensing power steering
- Seat-mounted Mini-lever Hydraulic Controls
- 12" long dual operator assist grips
- Low, wide entry steps
- Dash integrated amenity tray and oversized cup holder
- Premium, full-suspension vinyl seat
- Non-cinching seatbelt
- Integrated head light and turn signal lever
- One-way automatic fork leveling
- Poly-Clear Canopy

DISPLAY FEATURES

- LCD Color Multi-Function Display:
 - Data log function with QR Code output
 - Calendar
 - Date/Time
 - Master warning indicator
 - Wheel indicator
 - Direction indicator
- Mast tilt indicator
- Rental hour meter
- Lap time meter
- Traveling hour meter
- Load handling hour meter
- Travel/load handling hour meter
- Seat on hour meter
- Operation data log with QR code
- Digital hour meter display
- Battery charge level display
- Parking brake indicator
- SAS/OPSS warning light
- Load weight display (Not for trade)

SERVICEABILITY

- Easy access, no-tools floorboard
- Hood assist damper with lock device
- Easy lift hood with wide 75 degree opening
- Easy access to common service items
- Self-diagnostics
- Built-in analyzer

OPTIONAL EQUIPMENT

MAST

- Wide Visible Mast (V)
- Full-free lift two-stage mast (FV)
- Full-free lift three-stage mast (FSV)

LOAD HANDLING

- Fork Bar (Carriage)
- Fully Tapered & Polished Forks
- Fully Tapered & Polished 46" Lumber Forks
- 72" Standard Tapered Forks (Class III)
- 96" Forks (Hang-On & Pin Type)
- High Load Backrest
- Hydraulic Accumulator (2 quart piston type)
- Hydraulic Quick Disconnects (Dual)
- Less Forks
- Less Mast and Forks and Load Backrest
- Side Hosing Termination
- Tapered Forks
- Without Load Backrest
- Lumber Spec Carriage, Backrest & Forks
- Tilt Hole Boots
- Metallic Mast Bushings
- Pin Type Forks

LOAD HANDLING (ATTACHMENT, HOSE & VALVE ASSEMBLY)

- Cascade Component Guard (Hang-On Sideshifter)
- Hang-on Sideshifter (Cascade)
- Cascade Integral Sideshifter
- Cascade Integral Sideshifting Fork Positioner
- Cascade Hang-On Sideshifting Fork Positioner
- Integral Sideshifting Fork Positioner (Rightline)
- Integral Sideshifter (Rightline)
- 3 Way Valve (With 3rd Function Hosing)
- 4 Way Valve (With 3rd & 4th Function Hosing)

BODY

- Rear View Mirrors (Left & Right Sides)
- Center Mounted Mirror
- Adjustable Cabin Mirrors
- Static Strap

POWERTRAIN

- FR Cover - Dusty Environment
- Li-Ion Battery 90V (846Ah)
- Li-Ion Battery 90V (564Ah)
- Keyless Ignition Switch

STEERING & OPERATION

- EZ Pedal Foot Direction Control
- Steering Wheel with Knob
- Factory Set Speed Limit
- Mini Lever controls

SEATS & SEAT BELTS

- Premium, full-suspension fabric seat
- 4-Way Adjustable Vinyl Full-Suspension Seat
- 4-Way Adjustable Cloth Full-Suspension Seat
- Swivel Seat - Cloth (with G40C seat)
- Swivel Seat - Vinyl (with G40I seat)
- Seat Belt Interlock

LIGHTS, INDICATORS, & MISC

- LED Front Combination Lights
- LED Rear Combination Lights
- LED Rear Working Light
- LED Reverse Activated Rear Work Light
- LED Strobe Light - Amber
- LED Strobe Light - Blue
- Blue Light (Key ON/OFF)
- Blue Light (Back ON/OFF)
- Operator Compartment Light
- 12 Volt Power Supply
- Adj Volume Back-up Alarm (Smart Alarm)
- Back-Up Alarm
- Motion Alarm (Adjustable)
- Smart Alarm
- Fire Extinguisher
- Name Plate (French)
- Pencil/Tape Holder (Mounted on OHG Leg)
- Hydraulic Oil Temp Gauge
- Programmable Security Lock
- Rear Pillar Assist Grip with Horn Button
- SEnS+ Pedestrian Detection
- Premium Steel Cabin

WHEELS & TIRES

- Single Drive Tires
- Dual Drive Tires
- Front Solid Tires
- Rear Solid Tires

Not all options are available together or available on all models
Please contact your local, authorized Toyota Dealer for a complete list of available options

TRUCK SPECIFICATIONS

MODEL NUMBERS

GENERAL DATA				9FBZ35U	9FBZ40U	9FBZ45U	9FBZ50U
Load Capacity		lb (kg)		8000 (3500)	9000 (4000)	10000 (4500)	11000 (5000)
Load Center		in (mm)		24 (600)	24 (600)	24 (600)	24 (600)
Power Type (Battery)	Voltage	V		90	90	90	90
Operator Position				Seated Rider	Seated Rider	Seated Rider	Seated Rider
Tire Type	Front / Rear			Pneumatic / Pneumatic	Pneumatic / Pneumatic	Pneumatic / Pneumatic	Pneumatic / Pneumatic
Wheels (x = driven)	Front / Rear			2x / 2	2x / 2	2x / 2	2x / 2
EXTERIOR DIMENSIONS				9FBZ35U	9FBZ40U	9FBZ45U	9FBZ50U
A Maximum Fork Height (V mast, top of forks)		in (mm)		120 (3050)	120 (3050)	120 (3050)	120.5 (3060)
B Free-Lift (top of forks)		in (mm)		4.3 (110)	4.3 (110)	4.3 (110)	4.7 (120)
C Fork Size (T x W x L)		in (mm)		2x6x42 (50x150x1070)	2x6x42 (50x150x1070)	2x6x42 (50x150x1070)	2.4x6x48 (60x150x1220)
D Fork Spread (Outside)	Min./Max.	in (mm)		45.5/12.0 (1160/310)	45.5/12.0 (1160/310)	45.5/12.0 (1160/310)	45.5/13.0 (1160/330)
E Tilt Range (forward / backward)		deg		6/12	6/12	6/12	6/12
F Length to Fork Face		in (mm)		115 (2920)	117.2 (2975)	123.1 (3125)	124.6 (3165)
G Overall Width		in (mm)		54.1 (1375)	54.1 (1375)	56.5 (1435)	56.5 (1435)
H Mast Lowered Height		in (mm)		83.2 (2115)	83.2 (2115)	86.8 (2205)	96.6 (2455)
I Mast Extended Height (top of load backrest)		in (mm)		168 (4270)	168 (4270)	168 (4270)	174.5 (4435)
J Overhead Guard Height ³		in (mm)		88.5 (2250)	88.4 (2245)	91.7 (2330)	91.5 (2325)
K Turning Radius (outside)		in (mm)		103.5 (2630)	105.5 (2680)	111.8 (2840)	112.8 (2865)
L Load Distance ⁴		in (mm)		20 (505)	20 (505)	21.4 (545)	21.8 (555)
	Basic Right-Angle Stacking Aisle Width ⁵	in (mm)		123.5 (3135)	125.5 (3185)	133.2 (3385)	134.6 (3420)
PERFORMANCE DATA				9FBZ35U	9FBZ40U	9FBZ45U	9FBZ50U
Speeds	Maximum Travel (forward / rev.)	Full Load	mph (km/h)	14.1/14.1 (22.5/22.5)	13.9/13.9 (22.5/22.5)	13.5/13.5 (22.0/22.0)	13.5/13.5 (22.0/22.0)
		No Load	mph (km/h)	14.8/14.8 (24.0/24.0)	14.8/14.8 (24.0/24.0)	13.8/13.8 (22.5/22.5)	13.8/13.8 (22.5/22.5)
	Lifting	Full Load	fpm (mm/sec)	105 (535)	104 (530)	100 (510)	100 (510)
		No Load	fpm (mm/sec)	110 (560)	110 (560)	105 (535)	105 (535)
	Lowering	Full Load	fpm (mm/sec)	94 (475)	95.5 (485)	100 (510)	100 (510)
		No Load	fpm (mm/sec)	95 (480)	94.5 (480)	97 (490)	102 (520)
Drawbar Pull Maximum	Full Load / No Load	3-Min. Ratings	lb (kg)	6300/3190 (2860/1450)	6250/3080 (2840/1400)	5870/3560 (2660/1620)	5840/3740 (2650/1700)
		5-Min. Ratings	lb (kg)	6160/3190 (2800/1450)	6130/3080 (2780/1400)	5740/3560 (2600/1620)	5710/3740 (2590/1700)
		60-Min. Ratings	lb (kg)	1910/2100 (870/950)	1880/2090 (850/950)	1790/1830 (810/830)	1760/1800 (800/820)
Gradeability*	Full Load / No Load	3-Min. Ratings	deg (%)	17.2/12.9 (31/23)	15.6/11.8 (28/21)	12.9/12.9 (23/23)	11.8/12.4 (21/22)
		5-Min. Ratings	deg (%)	16.7/12.9 (30/23)	15.1/11.8 (27/21)	12.9/12.9 (23/23)	11.8/12.4 (21/22)
		30-Min. Ratings	deg (%)	9.6/12.9 (17/23)	8.5/11.8 (15/21)	7.4/12.4 (13/22)	6.2/11.3 (11/20)
TRUCK WEIGHTS				9FBZ35U	9FBZ40U	9FBZ45U	9FBZ50U
Total Weight		lb (kg)		13430 (6090)	14280 (6480)	15460 (7010)	16580 (7520)
Weight Distribution	Full Load	Front	lb (kg)	18340 (8320)	20260 (9040)	22530 (10140)	24560 (11130)
		Rear	lb (kg)	2800 (1270)	3020 (1440)	2930 (1370)	3030 (1390)
	No Load	Front	lb (kg)	6130 (2780)	5970 (2710)	6770 (3070)	7160 (3250)
		Rear	lb (kg)	7300 (3310)	8310 (3770)	8690 (3940)	9420 (4270)
TIRES				9FBZ35U	9FBZ40U	9FBZ45U	9FBZ50U
Tires	Number (front / rear)			2/2	2/2	2/2	2/2
	Size	Front		250-15-18PR	250-15-18PR	300-15-20PR	300-15-20PR
		Rear		7.00-12-12PR	7.00-12-12PR	7.00-12-12PR	7.00-12-14PR
Wheelbase		in (mm)		74.8 (1900)	74.8 (1900)	78.7 (2000)	78.7 (2000)
Tread Width	Front	in (mm)		43.9 (1115)	43.9 (1115)	45.3 (1150)	45.3 (1150)
	Rear	in (mm)		43.3 (1100)	43.3 (1100)	43.3 (1100)	43.3 (1100)
Underclearance (full load)	Minimum with Load	in (mm)		4.9 (125)	4.7 (120)	4.7 (120)	4.6 (115)
	Center of Wheelbase	in (mm)		7.7 (195)	7.7 (195)	8.9 (225)	8.9 (225)
Brake	Service (foot)			Hydraulic <wet>	Hydraulic <wet>	Hydraulic <wet>	Hydraulic <wet>
	Parking			Auto/Electric	Auto/Electric	Auto/Electric	Auto/Electric
Control System	System Voltage	V		90	90	90	90
POWER SYSTEM				9FBZ35U	9FBZ40U	9FBZ45U	9FBZ50U
Battery	Voltage/ Capacity	STD	V/Ah	88.8/564	88.8/564	88.8/564	88.8/564
		HIGH	V/Ah	-/-	-/-	88.8/846	88.8/846
	Weight (STD Capacity Type)	lb (kg)		1630 (740)	1630 (740)	2010 (910)	2010 (910)
Electric Motors	Drive	60-Min Ratings	hp (kW)	2x 18.2	2x 18.2	2x 18.2	2x 18.2
	Load Handling	5-Min Ratings	hp (kW)	2x 20.8	2x 20.8	2x 20.8	2x 20.8
Control Type	Drive			MOSFET Inverter	MOSFET Inverter	MOSFET Inverter	MOSFET Inverter
	Load Handling			MOSFET Inverter	MOSFET Inverter	MOSFET Inverter	MOSFET Inverter
Power Consumption	VDI Cycle	kWh/h		11.3	11.9	12.9	13.7
Auxiliary Hydraulic Function Specifications (for attachments) ²	Max. Operating Pressure		psi (kg cm ²)	2600 (185)	2600 (185)	2600 (185)	2600 (185)
			<MPa>	<18.1>	<18.1>	<18.1>	<18.1>
		Max Flow Rate	gpm (lpm)	26 (100)	26 (100)	26 (100)	26 (100)

* Computed values

2. Values taken at Hydraulic Control Valve. Does not take into consideration losses through mast plumbing (hosing, fittings, QD's, etc).

3. Overhead guard height tolerance is +/- 1.57" (measured from the ground to the top of the overhead guard)

4. At centerline of front axle to front face of forks.

5. Add load length & clearance.

MODEL NUMBERS

GENERAL DATA				9FBZ60U	9BBZ70U	9FBZ80U
Load Capacity		lb (kg)		13500 (6000)	15500 (7000)	17500 (8000)
Load Center		in (mm)		24 (600)	24 (600)	24 (600)
Power Type (Battery)	Voltage	V		90	90	90
Operator Position				Seated Rider	Seated Rider	Seated Rider
Tire Type	Front / Rear				Pneumatic	Pneumatic
Wheels (x = driven)	Front / Rear				4x/2	4x/2
EXTERIOR DIMENSIONS				9FBZ60U	9BBZ70U	9FBZ80U
A	Maximum Fork Height (V mast, top of forks)		in (mm)	120.5 (3060)	120.5 (3065)	121 (3070)
B	Free-Lift (top of forks)		in (mm)	4.7 (120)	4.9 (125)	5.1 (130)
C	Fork Size (T x W x L)		in (mm)	2.4x6x48 (60x150x1220)	2.6x6x48 (65x150x1220)	2.8x6x48 (70x150x1220)
D	Fork Spread (Outside)	Min./Max.	in (mm)	66.5/13.0 (1690/330)	66.5/13.0 (1690/330)	66.5/13.0 (1690/330)
E	Tilt Range (forward / backward)		deg	6/12	6/12	6/12
F	Length to Fork Face		in (mm)	137.4 (3490)	139.5 (3545)	141.3 (3590)
G	Overall Width		in (mm)	78.7 (2000)	78.7 (2000)	78.9 (2005)
H	Mast Lowered Height		in (mm)	97.1 (2465)	97.2 (2470)	102.9 (2615)
I	Mast Extended Height (top of load backrest)		in (mm)	174.5 (4435)	174.5 (4435)	174.5 (4435)
J	Overhead Guard Height ³		in (mm)	92.1 (2340)	92.1 (2340)	92 (2335)
K	Turning Radius (outside)		in (mm)	128.1 (3255)	129.8 (3295)	131.3 (3335)
L	Load Distance ⁴		in (mm)	22.9 (580)	23.1 (585)	23.3 (590)
	Basic Right-Angle Stacking Aisle Width ⁵		in (mm)	150.9 (3835)	152.9 (3885)	154.6 (3925)
PERFORMANCE DATA				9FBZ60U	9BBZ70U	9FBZ80U
Speeds	Maximum Travel (forward / rev.)	Full Load	mph (km/h)	11.6/11.6 (19.0/19.0)	11.6/11.6 (18.5/18.5)	11.3/11.3 (18.0/18.0)
		No Load	mph (km/h)	12.4/12.4 (20.0/20.0)	12.4/12.4 (20.0/20.0)	12.4/12.4 (20.0/20.0)
	Lifting	Full Load	fpm (mm/sec)	85 (435)	82 (420)	73 (360)
		No Load	fpm (mm/sec)	87 (440)	87 (440)	87 (440)
	Lowering	Full Load	fpm (mm/sec)	100 (510)	103 (520)	105 (535)
		No Load	fpm (mm/sec)	85 (435)	86 (435)	87 (440)
Drawbar Pull Maximum	Full Load / No Load	3-Min. Ratings	lb (kg)	7710/4770 (3500/2170)	7660/4670 (3450/2120)	7620/4680 (3450/2120)
		5-Min. Ratings	lb (kg)	6640/4770 (3000/2170)	6600/4670 (2990/2120)	6550/4680 (2970/2120)
		60-Min. Ratings	lb (kg)	2150/2330 (980/1050)	2100/2300 (950/1040)	2060/2290 (930/1040)
Gradeability*	Full Load / No Load	3-Min. Ratings	deg (%)	12.9/12.9 (23/23)	11.3/11.8 (20/21)	10.7/11.3 (19/20)
		5-Min. Ratings	deg (%)	11.3/12.9 (20/23)	9.6/11.8 (17/21)	9.0/11.3 (16/20)
		30-Min. Ratings	deg (%)	6.8/11.8 (12/21)	5.7/10.7 (10/19)	5.1/10.2 (9/18)
TRUCK WEIGHTS				9FBZ60U	9BBZ70U	9FBZ80U
Total Weight		lb (kg)		20550 (9320)	21840 (9910)	22810 (10340)
Weight Distribution	Full Load	Front	lb (kg)	29610 (13210)	32550 (14690)	35710 (16260)
		Rear	lb (kg)	4440 (2100)	4790 (2220)	4610 (2090)
	No Load	Front	lb (kg)	8960 (4070)	8810 (4000)	8870 (4020)
		Rear	lb (kg)	11590 (5250)	13030 (5910)	13940 (6320)
TIRES				9FBZ60U	9BBZ70U	9FBZ80U
Tires	Number (front / rear)				4/2	4/2
	Size	Front			8.25-15-12PR	8.25-15-14PR
		Rear			8.25-15-12PR	8.25-15-16PR
Wheelbase		in (mm)		88.6 (2250)	88.6 (2250)	88.6 (2250)
Tread Width	Front	in (mm)		57.9 (1470)	57.9 (1470)	57.9 (1470)
	Rear	in (mm)		57.5 (1460)	57.5 (1460)	57.5 (1460)
Underclearance (full load)	Minimum with Load	in (mm)		5.1 (130)	5.1 (130)	5.1 (130)
	Center of Wheelbase	in (mm)		9.2 (235)	9.3 (235)	9.3 (235)
Brake	Service (foot)			Hydraulic <wet>	Hydraulic <wet>	Hydraulic <wet>
	Parking			Auto/Electric	Auto/Electric	Auto/Electric
Control System	System Voltage	V		90	90	90
POWER SYSTEM				9FBZ60U	9BBZ70U	9FBZ80U
Battery	Voltage/ Capacity	STD	V/Ah	88.8/564	88.8/564	88.8/564
		HIGH	V/Ah	88.8/846	88.8/846	88.8/846
	Weight (STD)	lb (kg)		2010 (910)	2010 (910)	2010 (910)
Electric Motors	Drive	60-Min Ratings	hp (kW)	2x 18.2	2x 18.2	2x 18.2
	Load Handling	5-Min Ratings	hp (kW)	2x 25.4	2x 25.4	2x 25.4
Control Type	Drive			MOSFET Inverter	MOSFET Inverter	MOSFET Inverter
	Load Handling			MOSFET Inverter	MOSFET Inverter	MOSFET Inverter
Power Consumption	VDI Cycle	kWh/h		13.1	14.0	14.9
Auxiliary Hydraulic Function Specifications (for attachments) ²	Max. Operating Pressure		psi (kg cm ²)	3050 (213)	3050 (213)	3050 (213)
			<MPa>	<20.9>	<20.9>	<20.9>
	Max Flow Rate		gpm (lpm)	26 (100)	26 (100)	26 (100)

* Computed values

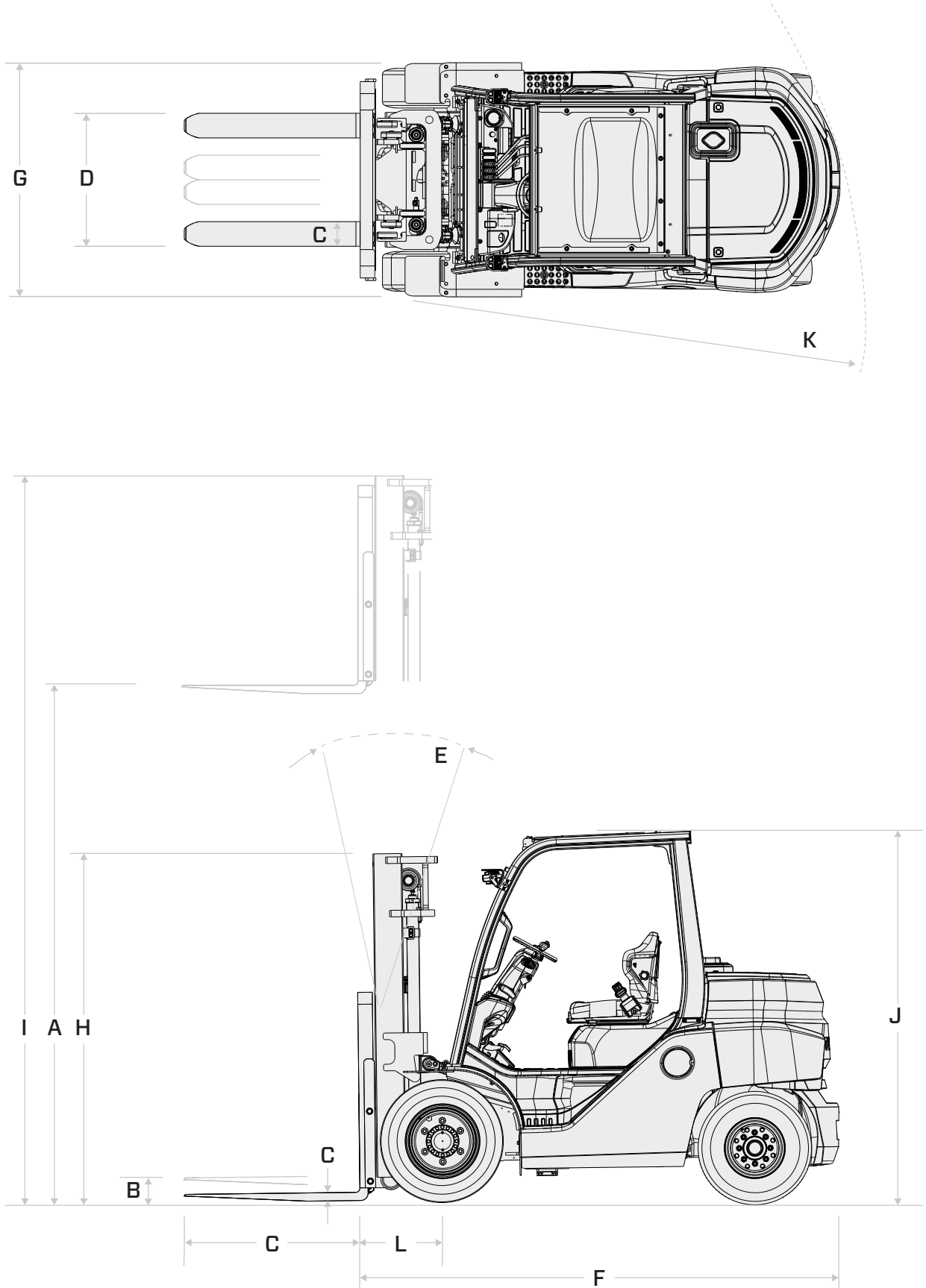
2. Values taken at Hydraulic Control Valve. Does not take into consideration losses through mast plumbing (hosing, fittings, QD's, etc).

3. Overhead guard height tolerance is +/- 1.57" (measured from the ground to the top of the overhead guard)

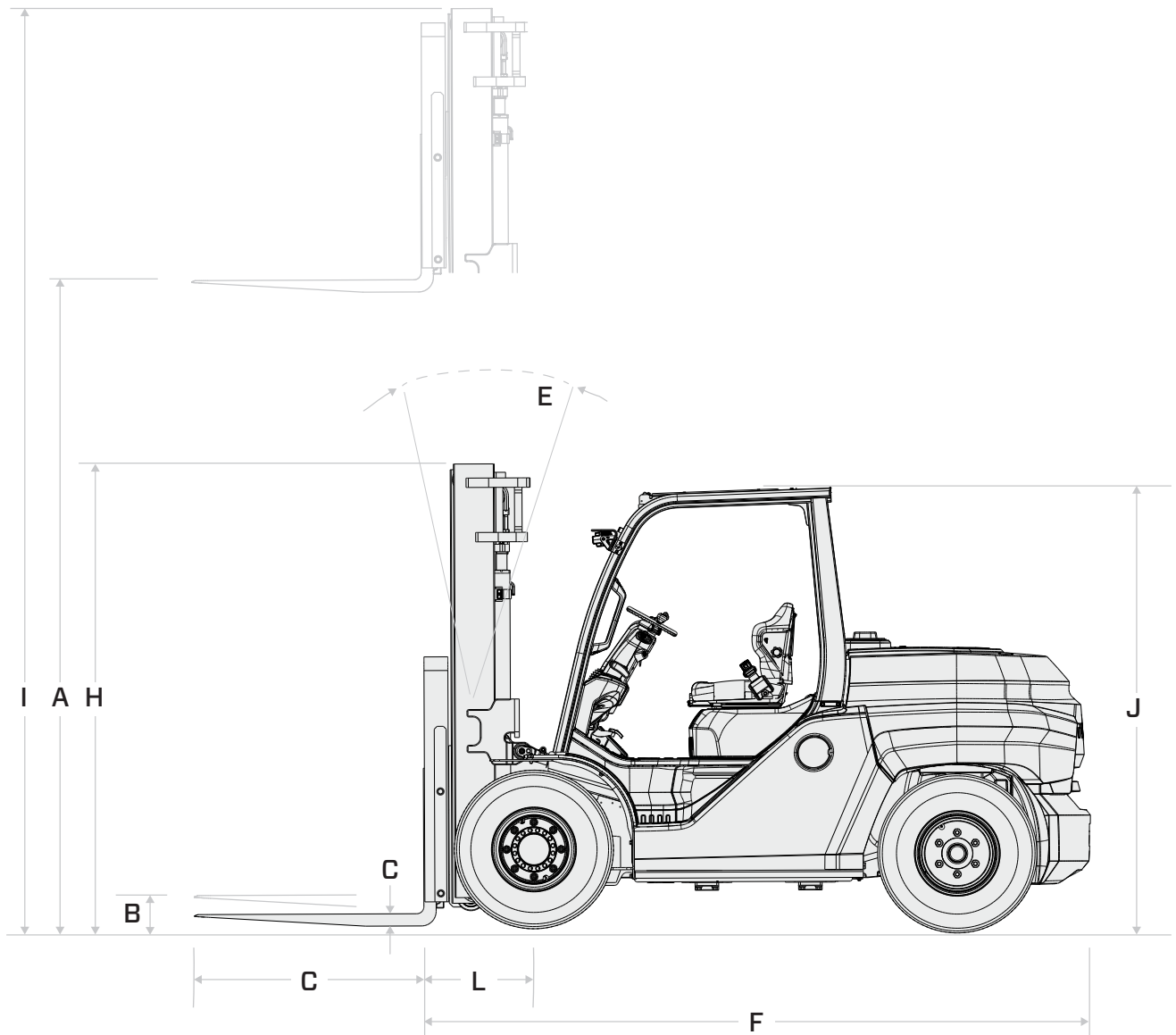
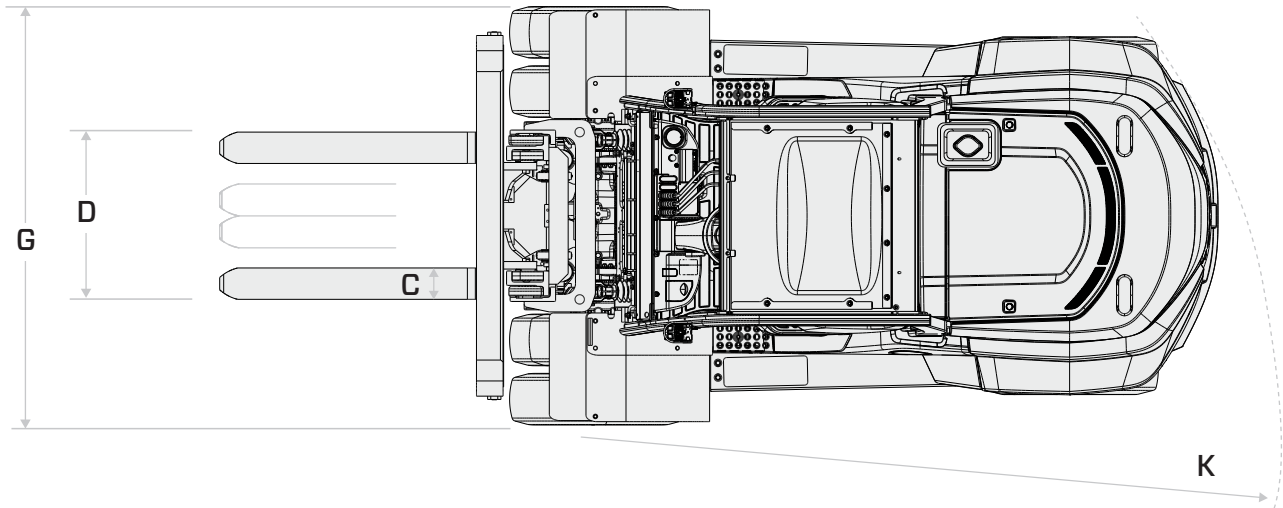
4. At centerline of front axle to front face of forks.

5. Add load length & clearance.

EXTERIOR DIMENSIONS (9FBZ35U-9FBZ40U)



EXTERIOR DIMENSIONS (9FBZ60U-9FBZ80U)



MAST SPECIFICATIONS (9FBZ35U-9FBZ50U)

MAST TYPE	MAXIMUM FORK HEIGHT (TOP OF FORKS)	OVERALL HEIGHT				FREE-LIFT		SINGLE TIRE			DUAL TIRE		
		LOWERED	EXTENDED		WITHOUT LOAD BACKREST	WITH STANDARD LOAD BACKREST ¹	TILT RANGE		LOAD CAPACITY AT 24 IN. (600 MM) LOAD CENTER	TILT RANGE		LOAD CAPACITY AT 24 IN. (600 MM) LOAD CENTER	
			WITHOUT LOAD BACKREST	WITH STANDARD LOAD BACKREST ¹			FWD	BWD		FWD	BWD		
		in (mm)	in (mm)	in (mm)	in (mm)	in (mm)	in (mm)	deg	deg	lb (kg)	deg	deg	lb (kg)
9FBZ35U													
Wide Visible (V)	120 (3050)	83.2 (2115)	151.5 (3850)	168.1 (4270)	4.3 (110)	4.3 (110)	6	12	8000 (3500)	6	12	8000 (3500)	
	132 (3350)	90.3 (2295)	163.3 (4150)	179.9 (4570)	4.3 (110)	4.3 (110)	6	12	8000 (3500)	6	12	8000 (3500)	
	147.5 (3750)	98.2 (2495)	179.1 (4550)	195.6 (4970)	4.3 (110)	4.3 (110)	6	12	8000 (3500)	6	12	8000 (3500)	
	159.5 (4050)	108 (2475)	190.9 (4850)	207.4 (5270)	4.3 (110)	4.3 (110)	6	12	8000 (3500)	6	12	8000 (3500)	
	179 (4550)	117.9 (2995)	210.6 (5350)	227.1 (5770)	4.3 (110)	4.3 (110)	6	12	8000 (3500)	6	12	8000 (3500)	
	199 (5050)	127.7 (3245)	230.3 (5850)	246.8 (6270)	4.3 (110)	4.3 (110)	6	6	7800 (3500)	6	12	7800 (3500)	
Full Free-Lift 2-Stage (FV)	120 (3050)	83.2 (2115)	152.7 (3880)	168.1 (4270)	50.4 (1280)	35 (890)	6	12	8000 (3500)	6	12	8000 (3500)	
	132 (3350)	90.3 (2295)	164.5 (4180)	179.9 (4570)	57.5 (1460)	42.1 (1070)	6	12	8000 (3500)	6	12	8000 (3500)	
Full Free-Lift 3-Stage (FSV)	159.5 (4050)	83.2 (2115)	192.1 (4880)	207.4 (5270)	50.4 (1280)	35 (890)	6	6	8000 (3500)	6	6	8000 (3500)	
	171.5 (4350)	85.2 (2165)	203.9 (5180)	219.2 (5570)	52.4 (1330)	37 (940)	6	6	8000 (3500)	6	6	8000 (3500)	
	187 (4750)	90.3 (2295)	219.6 (5580)	235 (5970)	57.5 (1460)	42.1 (1070)	6	6	7700 (3500)	6	6	7700 (3500)	
	199 (5050)	94.2 (2395)	231.4 (5880)	246.8 (6270)	61.4 (1560)	46.1 (1170)	6	6	7500 (3400)	6	6	7500 (3400)	
	218.5 (5550)	100.1 (2545)	251.1 (6380)	266.5 (6770)	67.3 (1710)	51.9 (1320)	6	6	6200 (2800)	6	6	7250 (3300)	
	238 (6050)	108 (2745)	270.8 (6880)	286.2 (7270)	75.2 (1910)	59.8 (1520)	6	6	4600 (2100)	6	6	7050 (3200)	

MAST TYPE	MAXIMUM FORK HEIGHT (TOP OF FORKS)	OVERALL HEIGHT				FREE-LIFT		SINGLE TIRE			DUAL TIRE		
		LOWERED	EXTENDED		WITHOUT LOAD BACKREST	WITH STANDARD LOAD BACKREST ¹	TILT RANGE		LOAD CAPACITY AT 24 IN. (600 MM) LOAD CENTER	TILT RANGE		LOAD CAPACITY AT 24 IN. (600 MM) LOAD CENTER	
			WITHOUT LOAD BACKREST	WITH STANDARD LOAD BACKREST ¹			FWD	BWD		FWD	BWD		
		in (mm)	in (mm)	in (mm)	in (mm)	in (mm)	in (mm)	deg	deg	lb (kg)	deg	deg	lb (kg)
9FBZ40U													
Wide Visible (V)	120 (3050)	83.2 (2115)	151.5 (3850)	168 (4270)	4.3 (110)	4.3 (110)	6	12	9000 (4000)	6	12	9000 (4000)	
	132 (3350)	90.3 (2295)	163.3 (4150)	179.8 (4570)	4.3 (110)	4.3 (110)	6	12	9000 (4000)	6	12	9000 (4000)	
	147.5 (3750)	98.2 (2495)	179.1 (4550)	195.6 (4970)	4.3 (110)	4.3 (110)	6	12	9000 (4000)	6	12	9000 (4000)	
	159.5 (4050)	108 (2745)	190.9 (4850)	207.4 (5270)	4.3 (110)	4.3 (110)	6	12	9000 (4000)	6	12	9000 (4000)	
	179 (4550)	117.8 (2995)	210.6 (5350)	227.1 (5770)	4.3 (110)	4.3 (110)	6	6	9000 (4000)	6	12	9000 (4000)	
	199 (5050)	127.7 (3245)	230.3 (5850)	246.8 (6270)	4.3 (110)	4.3 (110)	6	6	9000 (4000)	6	12	9000 (4000)	
Full Free-Lift 2-Stage (FV)	120 (3050)	83.2 (2115)	152.7 (3880)	168 (4270)	50.6 (1285)	35.3 (895)	6	12	9000 (4000)	6	12	9000 (4000)	
	132 (3350)	90.3 (2295)	164.5 (4180)	179.8 (4570)	57.7 (1465)	42.3 (1075)	6	12	9000 (4000)	6	12	9000 (4000)	
Full Free-Lift 3-Stage (FSV)	159.5 (4050)	83.2 (2115)	192.1 (4880)	207.4 (5270)	50.6 (1285)	35.3 (895)	6	6	9000 (4000)	6	6	9000 (4000)	
	171.5 (4350)	85.2 (2165)	203.9 (5180)	219.2 (5570)	52.6 (1335)	37.2 (945)	6	6	9000 (4000)	6	6	9000 (4000)	
	187 (4750)	90.3 (2295)	219.6 (5580)	235 (5970)	57.7 (1465)	42.3 (1075)	6	6	9000 (4000)	6	6	9000 (4000)	
	199 (5050)	94.2 (2395)	231.4 (5880)	246.8 (6270)	61.6 (1565)	46.3 (1175)	6	6	9000 (4000)	6	6	9000 (4000)	
	218.5 (5550)	100.1 (2545)	251.1 (6380)	266.4 (6770)	67.5 (1715)	52.2 (1325)	6	6	7700 (3500)	6	6	9000 (4000)	
	238 (6050)	108 (2745)	270.8 (6880)	286.1 (7270)	75.4 (1915)	60.1 (1525)	6	6	5950 (2700)	6	6	7280 (3300)	

* Capacity available by special request
 1 Height of standard load backrest is 48" (1220 mm)

MAST TYPE	MAXIMUM FORK HEIGHT (TOP OF FORKS)	OVERALL HEIGHT				FREE-LIFT		SINGLE TIRE			DUAL TIRE		
		LOWERED	EXTENDED		WITHOUT LOAD BACKREST	WITH STANDARD LOAD BACKREST ¹	TILT RANGE		LOAD CAPACITY AT 24 IN. (600 MM) LOAD CENTER	TILT RANGE		LOAD CAPACITY AT 24 IN. (600 MM) LOAD CENTER	
			WITHOUT LOAD BACKREST	WITH STANDARD LOAD BACKREST ¹			FWD	BWD		FWD	BWD		
		in (mm)	in (mm)	in (mm)	in (mm)	in (mm)	in (mm)	deg	deg	lb (kg)	deg	deg	lb (kg)
9FBZ45U													
Wide Visible (V)	120 (3050)	86.8 (2205)	146.1 (3710)	168 (4270)	4.3 (110)	4.3 (110)	6	12	10000 (4500)	6	12	10000 (4500)	
	132 (3350)	92.7 (2355)	157.9 (4010)	179.8 (4570)	4.3 (110)	4.3 (110)	6	12	10000 (4500)	6	12	10000 (4500)	
	147.5 (3750)	102.5 (2605)	173.7 (4410)	195.6 (4970)	4.3 (110)	4.3 (110)	6	12	10000 (4500)	6	12	10000 (4500)	
	159.5 (4050)	110.4 (2805)	185.5 (4710)	207.4 (5270)	4.3 (110)	4.3 (110)	6	12	10000 (4500)	6	12	10000 (4500)	
	179 (4550)	120.2 (3055)	205.2 (5210)	227.1 (5770)	4.3 (110)	4.3 (110)	6	6	10000 (4500)	6	12	10000 (4500)	
Full Free-Lift 2-Stage (FV)	199 (5050)	130.1 (3305)	224.8 (5710)	246.8 (6270)	4.3 (110)	4.3 (110)	6	6	8850 (4000)	6	12	9750 (4400)	
	120 (3050)	86.8 (2205)	147.3 (3740)	168 (4270)	59.6 (1515)	38.8 (985)	6	12	10000 (4500)	6	12	10000 (4500)	
Full Free-Lift 3-Stage (FSV)	132 (3350)	92.7 (2355)	159.1 (4040)	179.8 (4570)	65.5 (1665)	44.7 (1135)	6	12	10000 (4500)	6	12	10000 (4500)	
	159.5 (4050)	83.6 (2125)	186.6 (4740)	207.4 (5270)	56.4 (1435)	35.7 (905)	6	6	10000 (4500)	6	6	10000 (4500)	
	171.5 (4350)	86.8 (2205)	198.5 (5040)	219.2 (5570)	59.6 (1515)	38.8 (985)	6	6	9750 (4500)	6	6	9750 (4500)	
	187 (4750)	92.7 (2355)	214.2 (5440)	235 (5970)	65.5 (1665)	44.7 (1135)	6	6	9300 (4200)	6	6	9700 (4400)	
	199 (5050)	96.6 (2455)	226 (5740)	246.8 (6270)	69.4 (1765)	48.7 (1235)	6	6	8800 (4000)	6	6	9450 (4300)	
	218.5 (5550)	102.5 (2605)	245.7 (6240)	266.4 (6770)	75.3 (1915)	54.6 (1385)	6	6	6650 (3000)	6	6	9000 (4100)	
238 (6050)	110.4 (2805)	265.4 (6740)	286.1 (7270)	83.2 (2115)	62.5 (1585)	6	6	5150 (2300)	6	6	8600 (3900)		

MAST TYPE	MAXIMUM FORK HEIGHT (TOP OF FORKS)	OVERALL HEIGHT				FREE-LIFT		SINGLE TIRE			DUAL TIRE		
		LOWERED	EXTENDED		WITHOUT LOAD BACKREST	WITH STANDARD LOAD BACKREST ²	TILT RANGE		LOAD CAPACITY AT 24 IN. (600 MM) LOAD CENTER	TILT RANGE		LOAD CAPACITY AT 24 IN. (600 MM) LOAD CENTER	
			WITHOUT LOAD BACKREST	WITH STANDARD LOAD BACKREST ²			FWD	BWD		FWD	BWD		
		in (mm)	in (mm)	in (mm)	in (mm)	in (mm)	in (mm)	deg	deg	lb (kg)	deg	deg	lb (kg)
9FBZ50U													
Wide Visible (V)	120.5 (3060)	96.6 (2455)	153.7 (3905)	174.5 (4435)	4.7 (120)	4.7 (120)	6	12	11000 (5000)	6	12	11000 (5000)	
	132.5 (3360)	102.5 (2605)	165.5 (4205)	186.3 (4735)	4.7 (120)	4.7 (120)	6	12	11000 (5000)	6	12	11000 (5000)	
	148 (3760)	110.4 (2805)	181.3 (4605)	202.1 (5135)	4.7 (120)	4.7 (120)	6	12	11000 (5000)	6	12	11000 (5000)	
	160 (4060)	120.2 (3055)	193.1 (4905)	213.9 (5435)	4.7 (120)	4.7 (120)	6	12	11000 (5000)	6	12	11000 (5000)	
	179.5 (4560)	130.1 (3305)	212.8 (5405)	233.6 (5935)	4.7 (120)	4.7 (120)	6	6	11000 (5000)	6	12	11000 (5000)	
Full Free-Lift 3-Stage (FSV)	199 (5060)	139.9 (3555)	232.5 (5905)	253.3 (6435)	4.7 (120)	4.7 (120)	6	6	9000 (4000)	6	12	10600 (4800)	
	160 (4060)	89.5 (2275)	194.3 (4935)	213.9 (5435)	55.1 (1400)	35.5 (900)	6	6	10800 (4900)	6	6	10800 (4900)	
	171.5 (4360)	92.7 (2355)	206.1 (5235)	225.7 (5735)	58.2 (1480)	38.6 (980)	6	6	10600 (4800)	6	6	10600 (4800)	
	187.5 (4760)	96.6 (2455)	221.8 (5635)	241.5 (6135)	62.2 (1580)	42.5 (1080)	6	6	9500 (4300)	6	6	10200 (4600)	
	199 (5060)	102.5 (2605)	233.7 (5935)	253.3 (6435)	68.1 (1730)	48.5 (1230)	6	6	9000 (4100)	6	6	10000 (4500)	
	219 (5560)	110.4 (2805)	253.3 (6435)	273 (6935)	75.9 (1930)	56.3 (1430)	6	6	6800 (3100)	6	6	9500 (4300)	
238.5 (6060)	120.2 (3055)	273 (6935)	292.6 (7435)	85.8 (2180)	66.2 (1680)	6	6	5300 (2400)	6	6	9000 (4100)		

* Capacity available by special request
1 Height of standard load backrest is 48" (1220 mm)
2 Height of standard load backrest is 54 in. (1370 mm).

MAST SPECIFICATIONS (9FBZ60U-9FBZ80U)

MAST TYPE	MAXIMUM FORK HEIGHT (TOP OF FORKS)	OVERALL HEIGHT			FREE-LIFT		TILT RANGE		LOAD CAPACITY AT
		LOWERED	EXTENDED		WITHOUT LOAD BACKREST	WITH STANDARD LOAD BACKREST ²	FWD	BWD	24 IN. (600 MM) LOAD CENTER ²
			WITHOUT LOAD BACKREST	WITH STANDARD LOAD BACKREST ²					
in (mm)									
9FBZ60U									
Wide Visible (V)	120.5 (3060)	97.1 (2465)	156.7 (3980)	174.5 (4435)	4.7 (120)	4.7 (120)	6	12	13500 (6000)
	132.5 (3360)	103 (2615)	168.5 (4280)	186.3 (4735)	4.7 (120)	4.7 (120)	6	12	13500 (6000)
	140 (3560)	106.9 (2715)	176.4 (4480)	194.2 (4935)	4.7 (120)	4.7 (120)	6	12	13500 (6000)
	148 (3760)	110.8 (2815)	184.2 (4680)	202.1 (5135)	4.7 (120)	4.7 (120)	6	12	13500 (6000)
	179.5 (4560)	130.5 (3315)	215.7 (5480)	233.6 (5935)	4.7 (120)	4.7 (120)	6	12	13500 (6000)
	219 (5560)	150.2 (3815)	255.1 (6480)	273 (6935)	4.7 (120)	4.7 (120)	6	12	13500 (6000)
Full Free-Lift 3-Stage (FSV)	160 (4060)	93.1 (2365)	196.8 (5000)	213.9 (5435)	56.1 (1425)	39.1 (990)	6	6	13300 (6000)
	171.5 (4360)	97.1 (2465)	208.7 (5300)	225.7 (5735)	60.1 (1525)	43 (1090)	6	6	12900 (5850)
	187.5 (4760)	100.6 (2555)	224.4 (5700)	241.5 (6135)	63.6 (1615)	46.6 (1180)	6	6	12400 (5620)
	199 (5060)	110.8 (2815)	236.2 (6000)	253.3 (6435)	73.8 (1875)	56.8 (1440)	6	6	12110 (5500)
	219 (5560)	120.7 (3065)	255.9 (6500)	273 (6935)	83.7 (2125)	66.6 (1690)	6	6	11450 (5200)
	138.5 (6060)	122.7 (3115)	275.6 (7000)	292.6 (7435)	85.7 (2175)	68.6 (1740)	6	6	11450 (5200)

MAST TYPE	MAXIMUM FORK HEIGHT (TOP OF FORKS)	OVERALL HEIGHT			FREE-LIFT		TILT RANGE		LOAD CAPACITY AT
		LOWERED ²	EXTENDED		WITHOUT LOAD BACKREST	WITH STANDARD LOAD BACKREST ¹	FWD	BWD	24 IN. (600 MM) LOAD CENTER ²
			WITHOUT LOAD BACKREST	WITH STANDARD LOAD BACKREST ¹					
in (mm)									
9FBZ70U									
Wide Visible (V)	120.5 (3065)	97.2 (2470)	156.7 (3980)	174.5 (4435)	4.9 (125)	4.9 (125)	6	12	15500 (7000)
	132.5 (3365)	103.1 (2620)	168.5 (4280)	186.3 (4735)	4.9 (125)	4.9 (125)	6	12	15500 (7000)
	140.5 (3565)	107 (2720)	176.4 (4480)	194.2 (4935)	4.9 (125)	4.9 (125)	6	12	15500 (7000)
	148 (3765)	111 (2820)	184.2 (4680)	202.1 (5135)	4.9 (125)	4.9 (125)	6	12	15500 (7000)
	179.5 (4565)	130.6 (3320)	215.7 (5480)	233.6 (5935)	4.9 (125)	4.9 (125)	6	12	15500 (7000)
	219 (5565)	150.4 (3820)	255.1 (6480)	273 (6935)	4.9 (125)	4.9 (125)	6	12	14750 (6700)
Full Free-Lift 3-Stage (FSV)	160 (4065)	93.2 (2370)	196.8 (5000)	213.9 (5435)	56.4 (1435)	39.4 (1000)	6	6	15500 (7000)
	172 (4365)	97.2 (2470)	208.7 (5300)	225.7 (5735)	60.4 (1535)	43.3 (1100)	6	6	14800 (6730)
	187.5 (4765)	100.7 (2560)	224.4 (5700)	241.5 (6135)	63.9 (1625)	46.9 (1190)	6	6	14750 (6700)
	199.5 (5065)	111 (2820)	236.2 (6000)	253.3 (6435)	74.2 (1885)	57.1 (1450)	6	6	14750 (6700)
	219 (5565)	120.8 (3070)	255.9 (6500)	273 (6935)	84 (2135)	66.9 (1700)	6	6	12700 (5750)
	239 (6065)	122.8 (3120)	275.6 (7000)	292.6 (7435)	86 (2185)	68.9 (1750)	6	6	12550 (5700)

MAST TYPE	MAXIMUM FORK HEIGHT (TOP OF FORKS)	OVERALL HEIGHT			FREE-LIFT		TILT RANGE		LOAD CAPACITY AT
		LOWERED ²	EXTENDED		WITHOUT LOAD BACKREST	WITH STANDARD LOAD BACKREST ¹	FWD	BWD	24 IN. (600 MM) LOAD CENTER ²
			WITHOUT LOAD BACKREST	WITH STANDARD LOAD BACKREST ¹					
in (mm)									
9FBZ70U									
Wide Visible (V)	121 (3070)	102.9 (2615)	160.6 (4080)	174.5 (4435)	5.1 (130)	5.1 (130)	6	12	17500 (8000)
	132.5 (3370)	106.9 (2715)	172.4 (4380)	186.3 (4735)	5.1 (130)	5.1 (130)	6	12	17500 (8000)
	140.5 (3570)	110.8 (2815)	180.3 (4580)	194.2 (4935)	5.1 (130)	5.1 (130)	6	12	17500 (8000)
	148.5 (3770)	120.7 (3065)	188.2 (4780)	202.1 (5135)	5.1 (130)	5.1 (130)	6	12	17500 (8000)
	180 (4570)	140.3 (3565)	219.7 (5580)	233.6 (5935)	5.1 (130)	5.1 (130)	6	12	17500 (8000)

* Capacity available by special request

1 Height of standard load backrest is 54 in. (1370 mm).

2 Mast will be removed for delivery if Overall Lowered Height is >106 in (2692 mm).





“I’M HERE TO MAKE SURE YOUR FORKLIFTS DON’T TAKE VACATION DAYS.”

Butch - 360 Technician, ProLift, Cincinnati, Ohio



HELP IS ALWAYS HERE WITH TOYOTA 360 SUPPORT.

The industry’s best and most comprehensive dealer network quickly delivers Toyota Certified Technicians to your work site. These specially trained technicians can also help assess your warehouse and facility needs to recommend the right equipment for the job. And with the largest fleet of material handling equipment, Toyota 360 keeps your business running at full speed.

ToyotaForklift.com/360-Support



YOUR BUSINESS IS RIDING ON IT.

Some product features described herein are optional. Please consult your dealer for specifications. Details of specifications and equipment are based on information available at time of printing and may change without notice. Photos may not reflect physical trucks.

