

# MAXIMUM PRODUCTIVITY PARTNER



 **TORA-MAX**

Tora-Max Electric Walkie Pallet Jack



# SIMPLE, EFFECTIVE POWER

---

You work hard, and you deserve equipment that will be able to keep up with your operation. The Tora-Max Electric Walkie Pallet Jack is the ideal choice for material transportation, whether you're working inside trailers or delivering to assembly lines. Designed to carry up to 4,000 lbs., it's capable of lifting even the heaviest loads with ease. Its compact design and high ground clearance allow it to seamlessly navigate narrow aisles, giving you the flexibility you need to transport materials easily and efficiently. The Tora-Max Electric Walkie Pallet Jack is the powerful, reliable, and flexible solution you've been searching for.



## ADVANTAGES OF THE TORA-MAX

- **SEALED MAINTENANCE-FREE BATTERIES** allow for multiple hours of continuous work and no need for watering
- **BUILT-IN CHARGER** comes with an easily accessible charging cord to allow for fast charging between shifts
- **HIGH GROUND CLEARANCE** permits easy operation when working around transitions, and uneven surfaces
- **TURTLE SPEED BUTTON** slows the maximum operating speed for improved control and precision



**4000 LB.**  
**CAPACITY**

**AC DRIVE**  
**MOTOR**





# MAXIMIZE YOUR UPTIME

---

Don't like watering your battery between shifts? We don't blame you and now you don't have to. The new Tora-Max Walkie Pallet Jack includes maintenance-free sealed lead-acid batteries that do not require refilling of water. To get you back to work quickly, the Tora-Max Electric Walkie Pallet Jack has a built-in charger that allows for easy, accessible charging. Just simple, effective power. That's Tora-Max.



480 VOLT

**TORA-MAX**

# NO-NONSENSE, DURABLE DESIGN



You deserve equipment that works just as hard as you do, and the new Tora-Max Electric Walkie Pallet Jack is ready to work when you are. This lift features a strong, heavy-duty chassis, polyurethane drive tires, and a steel battery cover that protects the truck from daily wear and tear that may occur during operation.

This pallet jack includes entry/exit rollers to allow easy entry and exit on and off pallets, especially when lightly loaded or empty. Not only does this pallet jack come equipped with durable components to keep your operation moving, but it's also equipped with an efficient AC drive motor to power you through your daily tasks.



CAPACITY  
**4000 LBS**

LOAD CENTER  
**24 IN**

MAXIMUM FORK HEIGHT  
**7.7 IN**

## INDUSTRIES



General  
Manufacturing



Beverage



Warehousing



Distribution



Retail

## STANDARD EQUIPMENT

### PERFORMANCE

- 24 Volt electrical system
- AC drive motor
- Thermal Protection & Current Limiting
- Transistor Drive Control System
- Regenerative Braking
- Contactor-less Drive Controls
- Electric Lift and Lower
- Anti-roll Back System
- Fused Control and Power Circuits
- High Ground Clearance

### OPERABILITY & ERGONOMICS

- Multifunction Control Handle with Ergonomically Angled Hand Grips
- Fingertip Control of All Functions
- Directional Thumb Wheels
- Direction Reverse Switch on Control Handle
- Pneumatic Cylinder Control Handle Return
- Parking Brake Electric Disc
- Turtle Speed Button
- LCD Battery Discharge Indicator with Hour Meter
- Electric Lift/Lower

### SERVICEABILITY

- Box Rail Fork Construction
- Steel Stabilizer Bars
- Metal Oxide Bushings
- Chrome-plated Lift Cylinder
- Polyurethane Drive Tire
- Polyurethane Load Wheels
- Pallet Entry/Exit Rollers
- Enclosed Battery Compartment
- Built-in Battery Charger
- Emergency Power Disconnect Switch
- Two Maintenance-Free 12V Batteries
- Key Switch
- High Strength Service Cover
- SB-175 Battery Connector (Red)
- Steel Fixed Push Rods

## OPTIONAL EQUIPMENT

- Load Backrest
- Caster Wheels

Please contact your local, authorized Toyota Dealer for a complete list of available options.



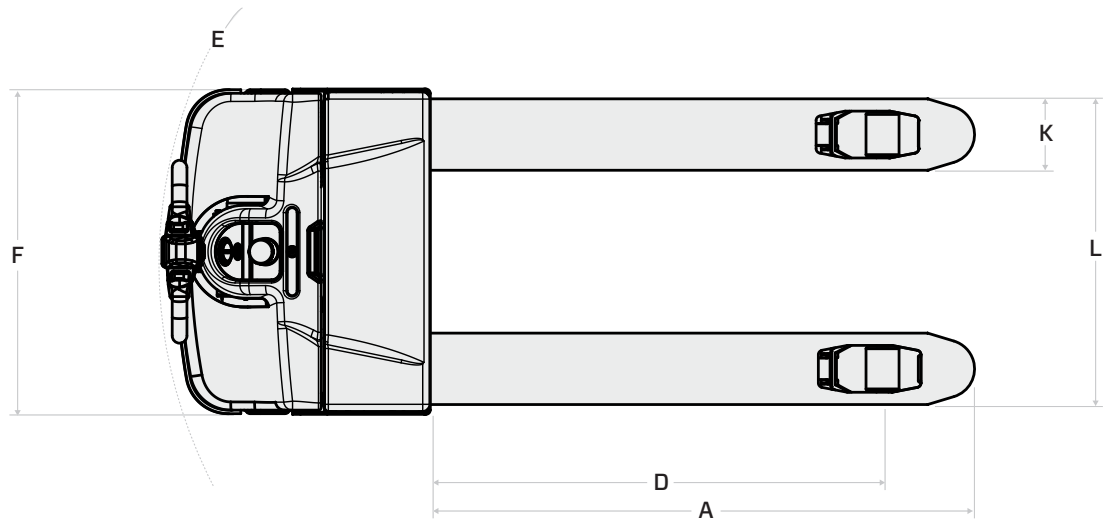
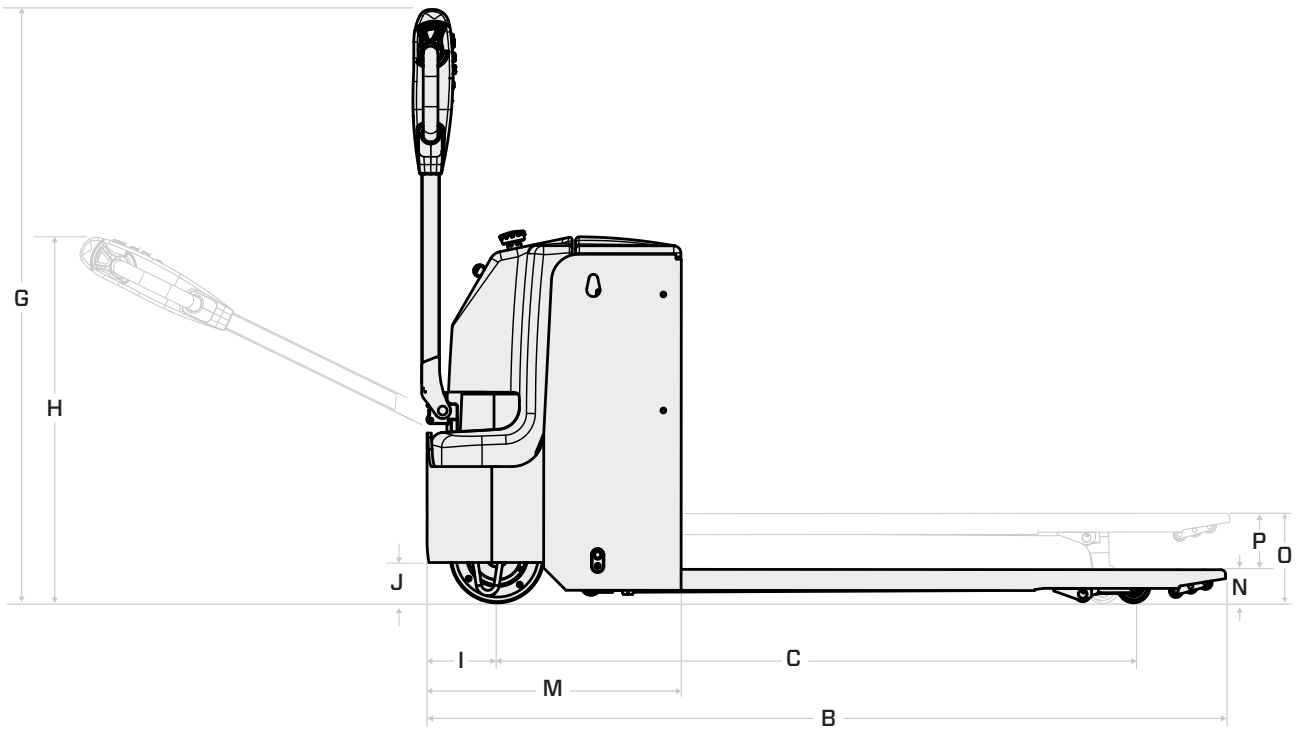
GENERAL DATA			2TWB40	
Load Capacity		lb (kg)	4000 (1814)	
Power Type			Battery	
Operator Position			Walkie	
Tire Type	Drive / Load		Polyurethane / Polyurethane	
Wheels (x = driven)	Front / Rear		1 x / 2	
EXTERIOR DIMENSIONS <sup>1</sup>			2TWB40	
<b>A</b>	Fork Length <sup>1</sup>	in (mm)	45.3 (1150)	
<b>B</b>	Overall Length <sup>2</sup>	in (mm)	68.3 (1735)	
<b>C</b>	Wheelbase	Lowered in (mm)	53.5 (1359)	
<b>D</b>	Load Wheel Location	Lowered	38.7 (984)	
		Raised	35.7 (906)	
<b>E</b>	Turning Radius	in (mm)	60 (1524)	
<b>F</b>	Overall Width	in (mm)	28.7 (729)	
<b>G</b>	Control Handle Height	Fully Raised in (mm)	48.4 (1230)	
<b>H</b>	Control Handle Height	Fully Lowered in (mm)	30.3 (770)	
<b>I</b>	Bumper to Drive Tire Center	in (mm)	6.2 (157)	
<b>J</b>	Bumper Underclearance	in (mm)	3.5 (90)	
<b>K</b>	Fork Width	in (mm)	6.3 (160)	
<b>L</b>	Overall Fork Width <sup>1</sup>	in (mm)	27 (685)	
<b>M</b>	Head Length	in (mm)	23.4 (595)	
<b>N</b>	Fork Height	Lowered	3.0 (75)	
		Raised	7.7 (195)	
<b>P</b>	Lift	in (mm)	4.7 (120)	
	Basic Right-Angle Stacking Aisle Width <sup>3</sup>	in (mm)	89.4 (2270)	
	Gross Weight without Battery	lb (kg)	583 (264)	
PERFORMANCE DATA			2TWB40	
Travel Speeds	Full Load	mph (km/h)	3.1 (5.0)	
	No Load	mph (km/h)	3.3 (5.3)	
Lift Speeds	Full Load	ft/s (mm/s)	0.07 (21)	
	No Load	ft/s (mm/s)	0.1 (30)	
Gradeability	Full Load	%	8	
	No Load	%	12	
Tires	Number	Front / Rear	1/2	
	Size (dia. x width)	Drive (front)	in (mm)	8.3 x 2.8 (210 x 70)
		Load (rear)	in (mm)	2.9 x 3.9 (74 x 100)
POWER SYSTEM			2TWB40	
Battery	Amps Max	V / Ah	180	
	Voltage	V	24	
Battery Weight	Min	lb (kg)	330 (150)	
Electric Motor- Drive	Max	hp (kW/h)	1 (0.75)	
Control Type	Drive		AC - Speed Control	

1 All numbers are nominal. For more information please see your dealer.

2 Measurement with the handle in the vertical position.

3 Minimum Aisle Width for Right-Angle Stacking: Aisle widths have been given for a standard model. Add a minimum of 12" for maneuverability.

## EXTERIOR DIMENSIONS





# TORA-MAX

2TWB40COMP  
©2022 TORA-MAX

[TORA-MAX.COM](https://TORA-MAX.COM)

Some product features described herein are optional. Please consult your dealer for specifications. Details of specifications and equipment are based on information available at time of printing and may change without notice.